

## right\_angled\_push\_pull\_plug

size: 0, IP50, keying: a, number\_of\_contacts: 4, solder\_cup, contact\_type: sockets, Ethernet/IP® [100 Mbit/s]|USB® 2.0 [480 Mbit/s]



### Basic information

Part number	W10LAC-P04LFG0-5200
Category	connector
Type of connector	right_angled_plug
Assembly situation	right_angled

### Contact insert description

Special features	data_transmission
Transmission type	Ethernet/IP® [100 Mbit/s] , USB® 2.0 [480 Mbit/s]
Number of contacts	4
Contact type	sockets
Contact diameter	0.7 mm
Termination type	solder_cup
Termination diameter	0.85 mm
Wire cross section AWG	AWG 22

### Technical information

Max. current single contact	7.5 A	IEC 60512-5-2:2002 [DIN EN 60512-5-2:2003]
Max. current insert	7.5	VDE 0298-4:2003
Test voltage	0.9 kV AC	SAE AS 13441:1998 method 3001.1
Max. creepage distance (contact to contact)	0.6 mm (Contact to housing)	
Max. creepage distance (contact to housing)	0.8 mm (Contact to housing)	
Max. clearance distance (contact to contact)	0.6 mm (Contact to contact)	
Max. clearance distance (contact to housing)	0.8 mm (Contact to housing)	

## Cable description

Cable outlet	back_nut
Min. cable diameter	4
Max. cable diameter	5.2

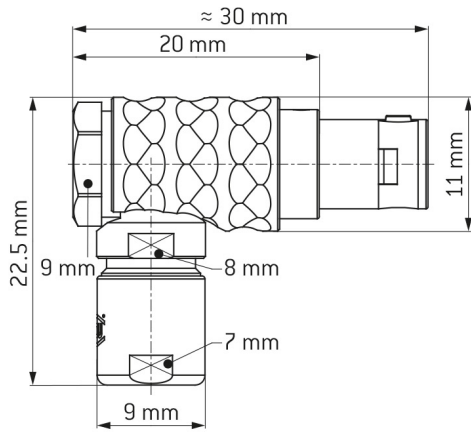
## Mechanical and environmental data

Locking principle	push_pull
Keying	coding_30°
Mating cycles	5.000
IP class	IP50
Max. operating temperature	120 °C
Min. operating temperature	-40 °C
Weight	12.37 g

## Material and surface treatments

Material	cu_alloy_with_matt_chrome_finish
Contact material	gold

### DIMENSIONS:



### CODING: 30°



### POSITIONS: 4 Positions



#### Further technical information and downloads

[Connection diagram](#) connection\_diagram\_4\_pin\_ethernet\_100Mbps\_rj45|connection\_diagram\_04\_pin\_usb\_2\_0\_typ\_a

[3D-File \(STP File\)](#)

[Assembly Instruction](#)

[Technical specifications](#)