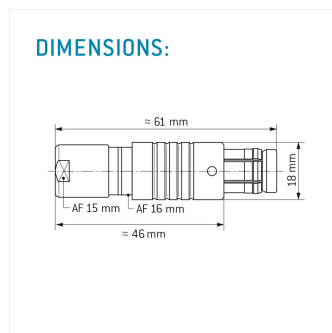


General information

Part number	S33F1C-P02LVTO-8500
Termination	solder
Size	3
Locking principle	push
Coding	1_halfshell
Cable Diameter	cable_mini_85
Cable outlet	standard



Illustrations may differ from original product.  
Dimensions, unless otherwise specified, in mm.



Contact insert description

Number of contacts	2
Contact type	sockets
Contact diameter	30mm
Insulator material	peek
Wire cross section	10_awg
Termination	solder
Termination diameter	27mm

reverse\_gender\_on\_request

Technical information

Max. creepage and air clearance distance	17_mm	14_mm
Nominal current single contact	32_a	iec_60512_5_2
Nominal current insert	32 A	vde_0298_4
Test voltage	18_kv_ac	sae_13441

safety\_text

## Mechanical and environmental data

Degree of protection*	ip68
-----------------------	------

Operating temperature	40_120_c
-----------------------	----------

Mating cycles	5000
---------------	------

mated

## Material and surface treatments

Housing	m_chrome
---------	----------

Contact	cu_alloy_gold
---------	---------------

safety\_text\_2

ul\_text

illustrative\_text