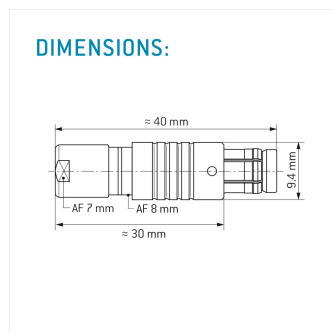


General information

|                   |                     |
|-------------------|---------------------|
| Part number       | S30F1C-P09MCCO-5000 |
| Termination       | solder              |
| Size              | 0                   |
| Locking principle | push                |
| Coding            | 1_halfshell         |
| Cable Diameter    | cable_mini_50       |
| Cable outlet      | standard            |



Illustrations may differ from original product.  
Dimensions, unless otherwise specified, in mm.



Contact insert description

|                      |        |
|----------------------|--------|
| Number of contacts   | 9      |
| Contact type         | pins   |
| Contact diameter     | 05mm   |
| Insulator material   | peek   |
| Wire cross section   | 28_awg |
| Termination          | solder |
| Termination diameter | 045mm  |

reverse\_gender\_on\_request

Technical information

|  |          |               |
|--|----------|---------------|
| Max. creepage and air clearance distance | 06_mm    | 05_mm         |
| Nominal current single contact           | 04_a     | iec_60512_5_2 |
| Nominal current insert                   | 2,6 A    | vde_0298_4    |
| Test voltage                             | 06_kv_ac | sae_13441     |

safety\_text

## Mechanical and environmental data

|                       |          |
|-----------------------|----------|
| Degree of protection* | ip68     |
| Operating temperature | 40_120_c |
| Mating cycles         | 5000     |

mated

## Material and surface treatments

|         |               |
|---------|---------------|
| Housing | m_chrome      |
| Contact | cu_alloy_gold |

safety\_text\_2  
ul\_text  
illustrative\_text