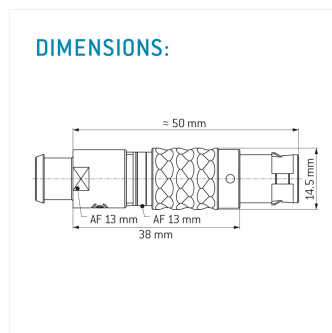


General information

Part number	S22LFC-P03PSN0-420S
Termination	crimp
Size	2
Locking principle	push
Coding	f_key
Cable Diameter	cable_mini_42
Cable outlet	bend_relief



Illustrations may differ from original product. Dimensions, unless otherwise specified, in mm.



The pin layout corresponds to the view on the termination area

Contact insert description

Number of contacts	3
Contact type	pins
Contact diameter	16mm
Insulator material	peek
Wire cross section	14-18_awg
Termination	crimp

reverse_gender_on_request

Technical information

Max. creepage and air clearance distance	15_mm	13_mm
Nominal current single contact	21_a	iec_60512_5_2
Nominal current insert	21 A	vde_0298_4
Test voltage	195_kv_ac	sae_13441

safety_text

Mechanical and environmental data

Degree of protection*	ip50
-----------------------	------

Operating temperature	40_120_c
-----------------------	----------

Mating cycles	5000
---------------	------

mated_unmated

Material and surface treatments

Housing	m_chrome
---------	----------

Contact	cu_alloy_gold
---------	---------------

safety_text_2

ul_text

illustrative_text