

straight_push_pull_plug_for_bend_relief

size: 1, IP50, keying: a, number_of_contacts: 8, solder_cup, contact_type: pins, Signal



Basic information

| | |
|--------------------|---------------------|
| Part number | S21MAC-P08MFG0-65CS |
| Category | connector |
| Type of connector | plug |
| Assembly situation | straight |
| Size | 1 |

Contact insert description

| | |
|------------------------|------------|
| Transmission type | Signal |
| Number of contacts | 8 |
| Contact type | pins |
| Contact diameter | 0.7 mm |
| Termination type | solder_cup |
| Termination diameter | 0.85 mm |
| Wire cross section AWG | AWG 22 |

Technical information

| | | |
|--|-----------------------------|--|
| Max. current single contact | 7.5 A | IEC 60512-5-2:2002 (DIN EN 60512-5-2:2003) |
| Max. current insert | 4.875 | VDE 0298-4:2003 |
| Test voltage | 0.95 kV AC | EIA-364-20F:2019-02 |
| Max. creepage distance (contact to contact) | 0.4 mm (Contact to housing) | |
| Max. clearance distance (contact to contact) | 0.4 mm (Contact to contact) | |

Cable description

| | |
|---------------------|-------------------|
| Cable outlet | cable_bend_relief |
| Min. cable diameter | 5.3 |
| Max. cable diameter | 6.5 |

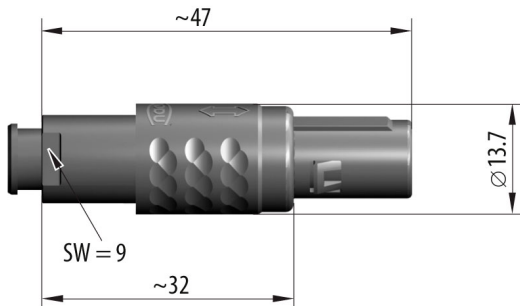
Mechanical and environmental data

| | |
|----------------------------|-----------|
| Locking principle | push_pull |
| Keying | a |
| Mating cycles | 2000 |
| IP class | IP50 |
| Max. operating temperature | 120 °C |
| Min. operating temperature | 50 °C |

Material and surface treatments

| | |
|----------------------------------|----------------------------------|
| Material | cu_alloy_with_matt_chrome_finish |
| Insulator material | peek |
| Contact material | cu_alloy_with_gold_finish |
| Color option (Front or back nut) | chrome_finish |

DIMENSIONS



CODING: 40°



POSITIONS: 8 Positions



Further technical information and downloads

[3D-File \[STP File\]](#)

[Assembly Instruction](#)