


## straight\_push\_pull\_plug\_for\_bend\_relief

size: 1, IP50, keying: 0, number\_of\_contacts: 5, solder\_cup, contact\_type: pins, Signal

### Basic information

	<b>Part number</b>	S21M0S-P05MJG0-528S
	<b>Category</b>	connector
	<b>Type of connector</b>	plug
	<b>Assembly situation</b>	straight
	<b>Size</b>	1

### Contact insert description

<b>Special features</b>	iec_60601_1_2_mopp_&_2_moop
<b>Transmission type</b>	Signal
<b>Number of contacts</b>	5
<b>Contact type</b>	pins
<b>Contact diameter</b>	0.9 mm
<b>Termination type</b>	solder_cup
<b>Termination diameter</b>	0.85 mm
<b>Wire cross section AWG</b>	AWG 22

### Technical information

<b>Nominal current single contact</b>	7.5 A	IEC 60512-5-2:2002 (DIN EN 60512-5-2:2003)
<b>Max. current insert</b>	5.625	VDE 0298-4:2003
<b>Test voltage</b>	1.05 kV AC	EIA-364-20F:2019-02
<b>Max. creepage distance (contact to contact)</b>	0.8 mm (Contact to housing)	
<b>Max. creepage distance (contact to housing)</b>	IEC 60601-1: 2MOPP. 2MOOP*	
<b>Max. clearance distance (contact to contact)</b>	0.8 mm (Contact to contact)	
<b>Max. clearance distance (contact to housing)</b>	IEC 60601-1: 2MOPP. 2MOOP*	

## Cable description

Cable outlet	cable_bend_relief
Min. cable diameter	4
Max. cable diameter	5.2

## Mechanical and environmental data

Locking principle	push_pull
Mating cycles	2.000
IP class	IP50
Max. operating temperature	120 °C
Min. operating temperature	50 °C
Weight	5.3 g

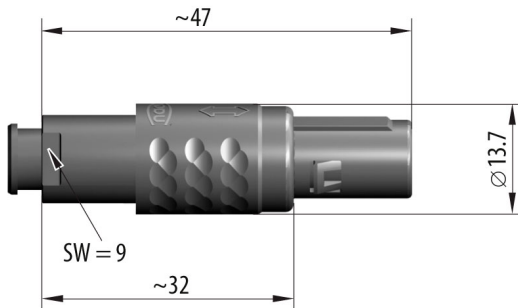
## Material and surface treatments

Material	pei_black
Contact material	gold
Color option (Front or back nut)	black

## Insulator materials MEDI-SNAP®

pei\_peek

## DIMENSIONS



## CODING: 0°



## POSITIONS: 5 Positions



### Further technical information and downloads

[3D-File \[STP File\]](#)

[Assembly Instruction](#)