

straight_push_pull_plug_for_bend_relief

size: 1, IP50, keying: 0, number_of_contacts: 14, solder_cup, contact_type: pins, Signal



Basic information

Part number	S21M0C-P14MCC0-65CS
Category	connector
Type of connector	plug
Assembly situation	straight
Size	1

Contact insert description

Transmission type	Signal
Number of contacts	14
Contact type	pins
Contact diameter	0.5 mm
Termination type	solder_cup
Termination diameter	0.45 mm
Wire cross section AWG	AWG 28

Technical information

Nominal current single contact	4 A	IEC 60512-5-2:2002 (DIN EN 60512-5-2:2003)
Max. current insert	2	VDE 0298-4:2003
Test voltage	0.7 kV AC	EIA-364-20F:2019-02
Max. creepage distance (contact to contact)	0.5 mm (Contact to housing)	
Max. clearance distance (contact to contact)	0.5 mm (Contact to contact)	

Cable description

Cable outlet	cable_bend_relief
Min. cable diameter	5.3
Max. cable diameter	6.5

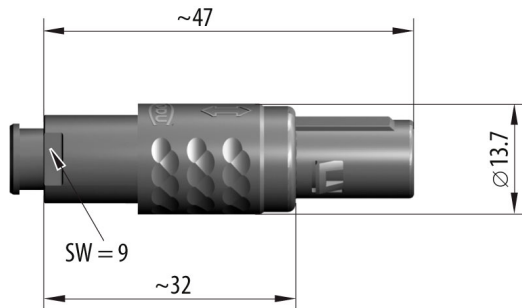
Mechanical and environmental data

Locking principle	push_pull
Mating cycles	2.000
IP class	IP50
Max. operating temperature	120 °C
Min. operating temperature	50 °C
Weight	19.43 g

Material and surface treatments

Material	cu_alloy_with_matt_chrome_finish
Contact material	cu_alloy_with_gold_finish
Color option (Front or back nut)	chrome_finish

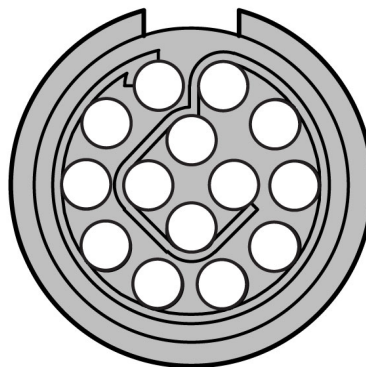
DIMENSIONS



CODING: 0°



POSITIONS: 14 Positions



Further technical information and downloads

[3D-File \[STP File\]](#)

[Assembly Instruction](#)