

## straight\_push\_pull\_plug\_for\_bend\_relief

size: 1, IP50, keying: 0, number\_of\_contacts: 6, solder\_cup, contact\_type: pins, Signal



### Basic information

Part number	S21M0C-P06MFG0-65CS
Category	connector
Type of connector	plug
Assembly situation	straight
Size	1

### Contact insert description

Transmission type	Signal
Number of contacts	6
Contact type	pins
Contact diameter	0.7 mm
Termination type	solder_cup
Termination diameter	0.85 mm
Wire cross section AWG	AWG 22

### Technical information

Nominal current single contact	7.5 A	IEC 60512-5-2:2002 (DIN EN 60512-5-2:2003)
Max. current insert	5.625	VDE 0298-4:2003
Test voltage	1.1 kV AC	EIA-364-20F:2019-02
Max. creepage distance (contact to contact)	0.65 mm (Contact to housing)	
Max. clearance distance (contact to contact)	0.65 mm (Contact to contact)	

### Cable description

Cable outlet	cable_bend_relief
Min. cable diameter	5.3
Max. cable diameter	6.5

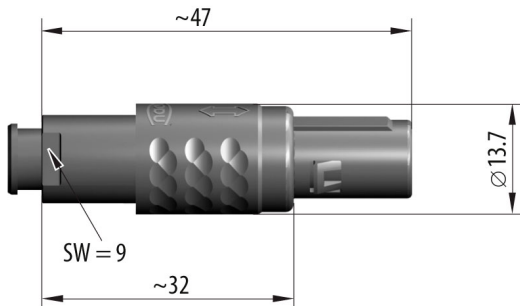
## Mechanical and environmental data

Locking principle	push_pull
Mating cycles	2.000
IP class	IP50
Max. operating temperature	120 °C
Min. operating temperature	-50 °C
Weight	19.07 g

## Material and surface treatments

Material	cu_alloy_with_matt_chrome_finish
Contact material	gold
Color option (Front or back nut)	chrome_finish

## DIMENSIONS



## CODING: 0°



## POSITIONS: 6 Positions



### Further technical information and downloads

[3D-File \[STP File\]](#)

[Assembly Instruction](#)