

straight_push_pull_plug_for_bend_relief

size: 1, IP50, keying: 0, number_of_contacts: 4, solder_cup, contact_type: pins, Signal



Basic information

Part number	S21M0C-P04MJG0-52CS
Category	connector
Type of connector	plug
Assembly situation	straight
Size	1

Contact insert description

Transmission type	Signal
Number of contacts	4
Contact type	pins
Contact diameter	0.9 mm
Termination type	solder_cup
Termination diameter	0.85 mm
Wire cross section AWG	AWG 22

Technical information

Max. current single contact	7.5 A	IEC 60512-5-2:2002 (DIN EN 60512-5-2:2003)
Max. current insert	7.5	VDE 0298-4:2003
Test voltage	1.3 kV AC	EIA-364-20F:2019-02
Max. creepage distance (contact to contact)	1.2 mm (Contact to housing)	
Max. clearance distance (contact to contact)	1.2 mm (Contact to contact)	

Cable description

Cable outlet	cable_bend_relief
Min. cable diameter	4
Max. cable diameter	5.2

Mechanical and environmental data

Locking principle	push_pull
Mating cycles	2.000
IP class	IP50
Max. operating temperature	120 °C
Min. operating temperature	-50 °C
Weight	19.72 g

Material and surface treatments

Material	cu_alloy_with_matt_chrome_finish
Contact material	gold
Color option (Front or back nut)	chrome_finish

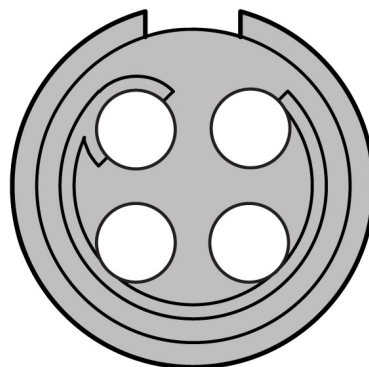
DIMENSIONS



CODING: 0°



POSITIONS: 4 Positions



Further technical information and downloads

[3D-File \[STP File\]](#)

[Assembly Instruction](#)