

## straight\_push\_pull\_plug\_for\_bend\_relief

size: 1, IP50, keying: 0, number\_of\_contacts: 8, crimp, contact\_type: pins, Signal



### Basic information

Part number	S21M07-P08PFG0-657S
Category	connector
Type of connector	plug
Assembly situation	straight
Size	1

### Contact insert description

Special features	iec_60601_1_2_mopp_&_2_moop
Transmission type	Signal
Number of contacts	8
Contact type	pins
Contact diameter	0.7 mm
Termination type	crimp
Wire cross section AWG	AWG 22 – 26

### Crimp contacts

Please refer to the installed contacts for the correct crimp settings and the tools to be used.

[185.374.000.207.000](https://www.odu.com/185.374.000.207.000)

### Technical information

Max. current single contact	7.5 A	IEC 60512-5-2:2002 (DIN EN 60512-5-2:2003)
Max. current insert	4.875	VDE 0298-4:2003
Test voltage	0.95 kV AC	EIA-364-20F:2019-02
Max. creepage distance (contact to contact)	0.4 mm (Contact to housing)	
Max. creepage distance (contact to housing)	IEC 60601-1: 2MOPP. 2MOOP*	
Max. clearance distance (contact to contact)	0.4 mm (Contact to contact)	
Max. clearance distance (contact to housing)	IEC 60601-1: 2MOPP. 2MOOP*	

## Cable description

Cable outlet	cable_bend_relief
Min. cable diameter	5.3
Max. cable diameter	6.5

## Mechanical and environmental data

Locking principle	push_pull
Mating cycles	2.000
IP class	IP50
Max. operating temperature	120 °C
Min. operating temperature	50 °C
Weight	3.94 g

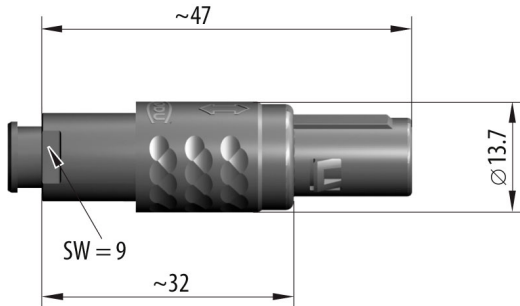
## Material and surface treatments

Material	psu_gray
Contact material	gold
Color option (Front or back nut)	gray

## Insulator materials MEDI-SNAP®

psu\_peek

## DIMENSIONS



## CODING: 0°



## POSITIONS: 8 Positions



### Further technical information and downloads

[3D-File \[STP File\]](#)

[Assembly Instruction](#)