

straight_push_pull_plug_for_bend_relief

size: 12 [STD 38999], IP6K8 / IP6K9K, keying: a, number_of_contacts: 18, crimp, contact_type: pins, Signal



Basic information

Part number	S1TAATO-HM18PN-0000
Category	connector
Type of connector	plug
Assembly situation	straight
Size	12 [STD 38999]

Contact insert description

Transmission type	Signal
Number of contacts	18
Contact type	pins
Contact diameter	0.76 mm; 0.9 mm
Termination type	crimp
Wire cross section AWG	AWG 22 – 26; AWG 20 – 24

Crimp contacts

Please refer to the installed contacts for the correct crimp settings and the tools to be used.

[923.000.005.000.429](#)

[185.967.000.306.000](#)

Technical information

Nominal current single contact	5 A	IEC 60512-5-2:2002 (DIN EN 60512-5-2:2003)
Test voltage	4x 1 kV AC. 14x 0.75 kV AC	EIA-364-20F:2019-02

Cable description

Cable outlet	overmolding
Min. cable diameter	5
Max. cable diameter	14.6

Mechanical and environmental data

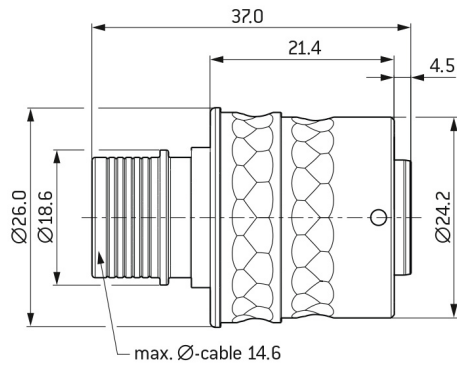
Locking principle	push_pull
Keying	a
Mating cycles	500
IP class	IP6K8 / IP6K9K
Max. operating temperature	175 °C
Min. operating temperature	-65 °C
Weight	23.34 g

ip_protection_class_refers_to_mated_condition

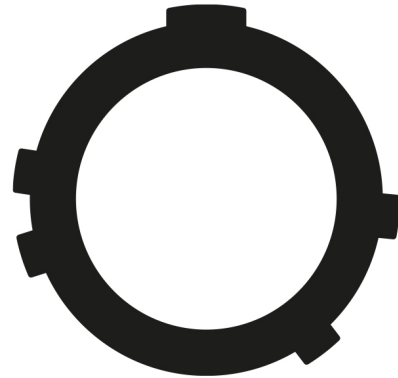
Material and surface treatments

Material	aluminum_with_tin_nickel_finish
Contact material	cu_alloy_with_gold_finish

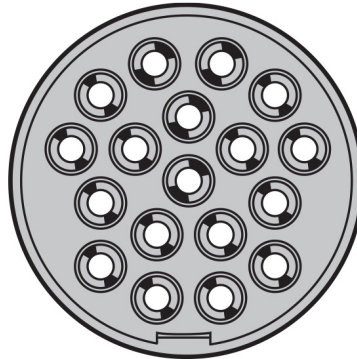
DIMENSIONS:



CODING:A



POSITIONS: 18 positions



Further technical information and downloads

[3D-File \[STP File\]](#)

[Assembly Instruction](#)