

straight_push_pull_plug_for_bend_relief

size: 1.5, IP6K8 / IP6K9K, keying: b, number_of_contacts: 10, solder_cup, contact_type: pins, Signal



Basic information

| | |
|--------------------|---------------------|
| Part number | S1AYBR-P10XFG0-0000 |
| Category | connector |
| Type of connector | plug |
| Assembly situation | straight |
| Size | 1.5 |

Contact insert description

| | |
|------------------------|------------|
| Transmission type | Signal |
| Number of contacts | 10 |
| Contact type | pins |
| Contact diameter | 0.7 mm |
| Termination type | solder_cup |
| Termination diameter | 0.85 mm |
| Wire cross section AWG | AWG 22 |

Technical information

| | | |
|-----------------------------|-----------|--|
| Max. current single contact | 7 A | IEC 60512-5-2:2002 (DIN EN 60512-5-2:2003) |
| Max. current insert | 3.85 | VDE 0298-4:2003 |
| Test voltage | 0.9 kV AC | EIA-364-20F:2019-02 |

Cable description

| | |
|---------------------|-------------|
| Cable outlet | overmolding |
| Min. cable diameter | 3.2 |
| Max. cable diameter | 8 |

Mechanical and environmental data

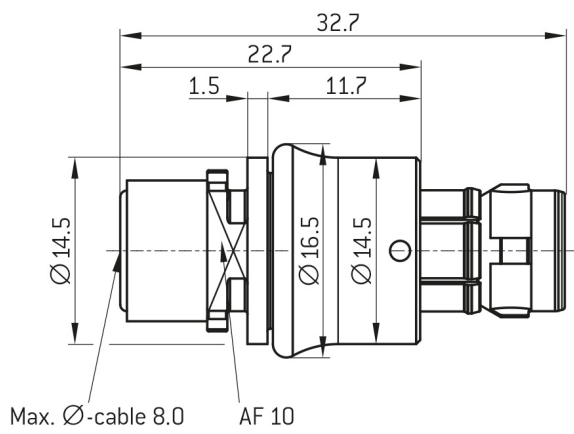
| | |
|----------------------------|----------------|
| Locking principle | push_pull |
| Keying | b |
| Mating cycles | 5000 |
| IP class | IP6K8 / IP6K9K |
| Max. operating temperature | 125 °C |
| Min. operating temperature | -51 °C |
| Weight | 8.23 g |

ip_protection_class_refers_to_mated_condition

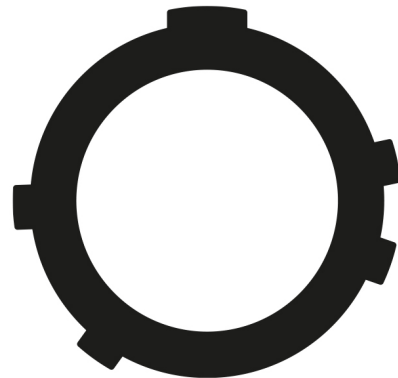
Material and surface treatments

| | |
|--------------------|--------------------------------|
| Material | aluminum_with_ruthenium_finish |
| Insulator material | peek |
| Contact material | gold |

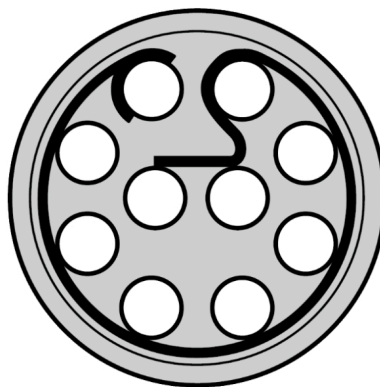
DIMENSIONS:



CODING: B



POSITIONS: 10 Positions



Further technical information and downloads

[3D-File \[STP File\]](#)

[Assembly Instruction](#)