

**S13F1C-P02MVT0-4000**  
series\_f  
**type\_s1**

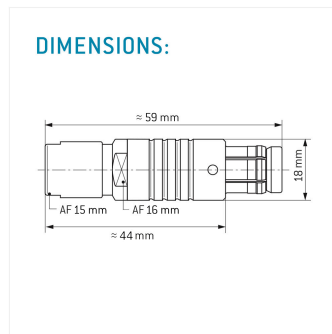
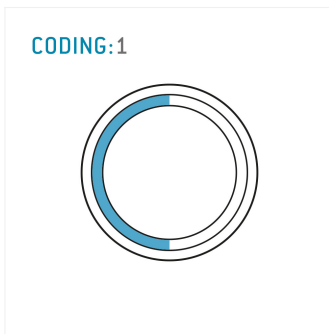


**General information**

<b>Part number</b>	S13F1C-P02MVT0-4000
<b>Termination</b>	solder
<b>Size</b>	3
<b>Locking principle</b>	push
<b>Coding</b>	1_halfshell
<b>Cable Diameter</b>	cable_mini_40
<b>Cable outlet</b>	standard



Illustrations may differ from original product.  
Dimensions, unless otherwise specified, in mm.



**Contact insert description**

<b>Number of contacts</b>	2
<b>Contact type</b>	pins
<b>Contact diameter</b>	30mm
<b>Insulator material</b>	peek
<b>Wire cross section</b>	10_awg
<b>Termination</b>	solder
<b>Termination diameter</b>	27mm

reverse\_gender\_on\_request

**Technical information**

<b>Max. creepage and air clearance distance</b>	17_mm	14_mm
<b>Nominal current single contact</b>	32_a	iec_60512_5_2
<b>Nominal current insert</b>	32 A	vde_0298_4
<b>Test voltage</b>	18_kv_ac	sae_13441

safety\_text

## Mechanical and environmental data

Degree of protection*	ip50
Operating temperature	40_120_c
Mating cycles	5000

mated\_unmated

## Material and surface treatments

Housing	m_chrome
Contact	cu_alloy_gold

safety\_text\_2  
ul\_text  
illustrative\_text