

straight_push_pull_plug_for_bend_relief

size: 2, IP6K8 / IP6K9K, keying: d, number_of_contacts: 12, solder_cup, contact_type: pins, Ethernet/IP® [1 Gbit/s] + USB® 2.0 [480 Mbit/s]



Basic information

Part number	S12YDR-PDMXFG0-0000
Category	connector
Type of connector	plug
Assembly situation	straight
Size	2

Contact insert description

Special features	data_transmission
Transmission type	Ethernet/IP® [1 Gbit/s] + USB® 2.0 [480 Mbit/s]
Number of contacts	12
Contact type	pins
Contact diameter	0.7 mm
Termination type	solder_cup
Termination diameter	0.85 mm
Wire cross section AWG	AWG 22

Technical information

Max. current single contact	7 A	IEC 60512-5-2:2002 (DIN EN 60512-5-2:2003)
Max. current insert	3.85	VDE 0298-4:2003
Test voltage	1.2 kV AC	EIA-364-20F:2019-02

Cable description

Cable outlet	overmolding
Min. cable diameter	5
Max. cable diameter	10

Mechanical and environmental data

Locking principle	push_pull
Keying	d
Mating cycles	5.000
IP class	IP6K8 / IP6K9K
Max. operating temperature	125 °C
Min. operating temperature	-51 °C
Weight	11.85 g

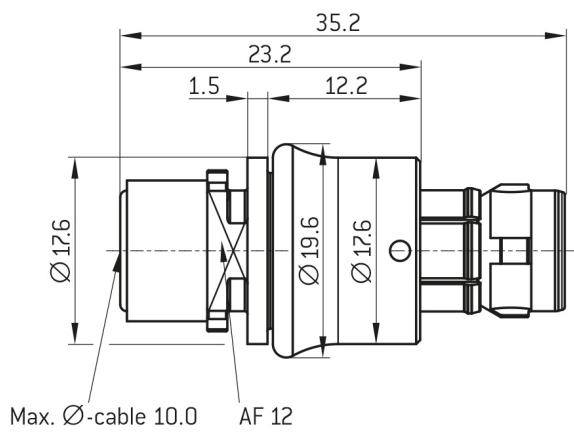
ip_protection_class_refers_to_mated_condition

Material and surface treatments

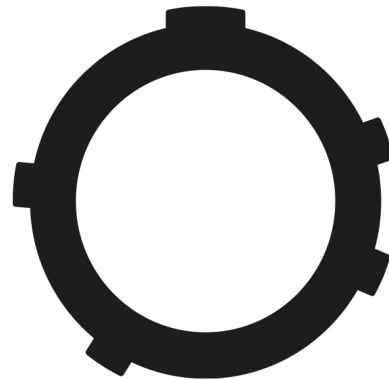
Material	aluminum_with_ruthenium_finish
Contact material	gold

Graphics and technical drawings

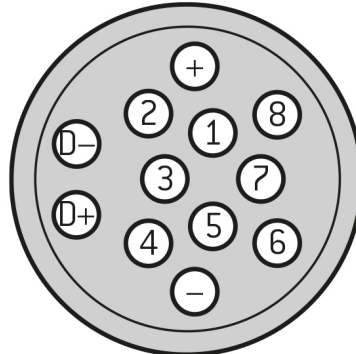
DIMENSIONS:



CODING:D



POSITIONS: 12 positions



Further technical information and downloads

Connection diagram

con_ethernet_1_usb_2

[3D-File \[STP File\]](#)

[Assembly Instruction](#)