

straight_push_pull_plug_for_bend_relief

size: 2, IP6K8 / IP6K9K, keying: a, number_of_contacts: 4, solder_cup, contact_type: pins, Ethernet/IP® (100 Mbit/s)



Basic information

Part number	S12YAR-P04XPH0-0000
Category	connector
Type of connector	plug
Assembly situation	straight
Size	2

Contact insert description

Special features	data_transmission
Transmission type	Ethernet/IP® (100 Mbit/s)
Number of contacts	4
Contact type	pins
Contact diameter	1.3 mm
Termination type	solder_cup
Termination diameter	1.1 mm
Wire cross section AWG	AWG 20

Technical information

Nominal current single contact	14 A	IEC 60512-5-2:2002 (DIN EN 60512-5-2:2003)
Max. current insert	14	VDE 0298-4:2003
Test voltage	1.95 kV AC	EIA-364-20F:2019-02

Cable description

Cable outlet	overmolding
Min. cable diameter	5
Max. cable diameter	10

Mechanical and environmental data

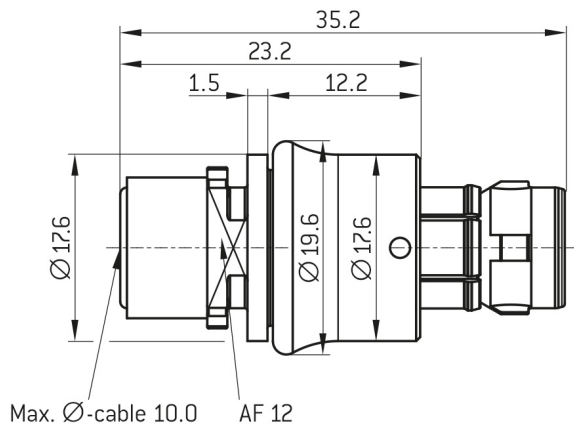
Locking principle	push_pull
Keying	a
Mating cycles	5000
IP class	IP6K8 / IP6K9K
Max. operating temperature	125 °C
Min. operating temperature	-51 °C
Weight	11.68 g

ip_protection_class_refers_to_mated_condition

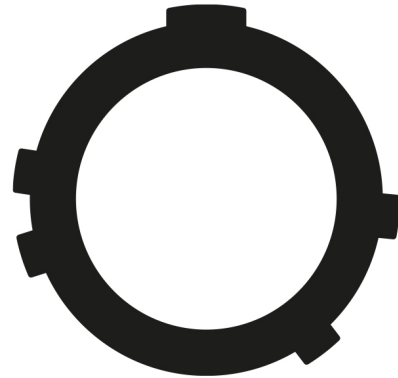
Material and surface treatments

Material	aluminum_with_ruthenium_finish
Insulator material	peek
Contact material	cu_alloy_with_gold_finish

DIMENSIONS:



CODING:A



POSITIONS: 4 Positions



Further technical information and downloads

[Connection diagram](#)

[connection_diagram_4_pin_ethernet_100Mbps_rj45](#)

[3D-File \(STP File\)](#)

[Assembly Instruction](#)