

# S12F1C-P19NFC0-3000

series\_f  
type\_s1

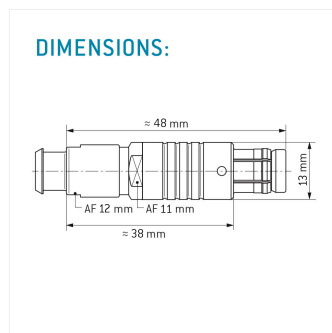


## General information

Part number	S12F1C-P19NFC0-3000
Termination	crimp
Size	2
Locking principle	push
Coding	1_halfshell
Cable Diameter	cable_mini_30
Cable outlet	standard



Illustrations may differ from original product.  
Dimensions, unless otherwise specified, in mm.



## Contact insert description

Number of contacts	19
Contact type	sockets
Contact diameter	07mm
Insulator material	peek
Wire cross section	28-32_awg
Termination	crimp

reverse\_gender\_on\_request

## Technical information

Max. creepage and air clearance distance	07_mm	06_mm
Nominal current single contact	05_a	iec_60512_5_2
Nominal current insert	2,25 A	vde_0298_4
Test voltage	1_kv_ac	sae_13441

safety\_text

## Mechanical and environmental data

Degree of protection*	ip50
-----------------------	------

Operating temperature	40_120_c
-----------------------	----------

Mating cycles	5000
---------------	------

mated\_unmated

## Material and surface treatments

Housing	m_chrome
---------	----------

Contact	cu_alloy_gold
---------	---------------

safety\_text\_2

ul\_text

illustrative\_text