

straight_push_pull_plug_for_bend_relief

size: 1, IP6K8 / IP6K9K, keying: b, number_of_contacts: 4, solder_cup, contact_type: pins, Ethernet/IP® (100 Mbit/s)



Basic information

Part number	S11YBR-P04XJG0-0000
Category	connector
Type of connector	plug
Assembly situation	straight
Size	1

Contact insert description

Special features	data_transmission
Transmission type	Ethernet/IP® (100 Mbit/s)
Number of contacts	4
Contact type	pins
Contact diameter	0.9 mm
Termination type	solder_cup
Termination diameter	0.85 mm
Wire cross section AWG	AWG 22

Technical information

Max. current single contact	10 A	IEC 60512-5-2:2002 (DIN EN 60512-5-2:2003)
Max. current insert	10	VDE 0298-4:2003
Test voltage	1.5 kV AC	EIA-364-20F:2019-02

Cable description

Cable outlet	overmolding
Min. cable diameter	3.2
Max. cable diameter	6.5

Mechanical and environmental data

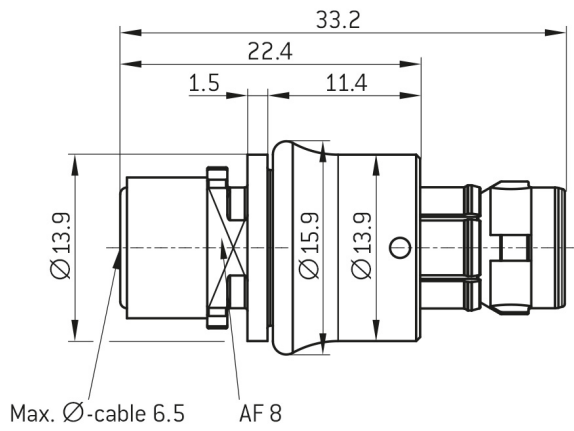
Locking principle	push_pull
Keying	b
Mating cycles	5000
IP class	IP6K8 / IP6K9K
Max. operating temperature	125 °C
Min. operating temperature	-51 °C
Weight	7.24 g

ip_protection_class_refers_to_mated_condition

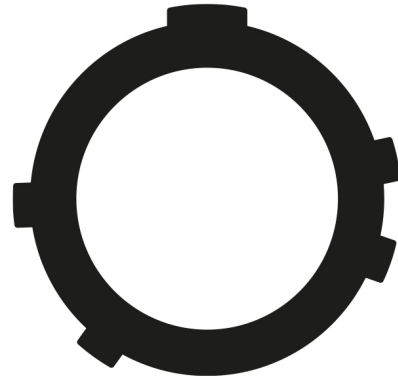
Material and surface treatments

Material	aluminum_with_ruthenium_finish
Insulator material	peek
Contact material	gold

DIMENSIONS:



CODING: B



POSITIONS: 4 Positions



Further technical information and downloads

Connection diagram

[connection_diagram_4_pin_ethernet_100Mbps_rj45](#)

[3D-File \(STP File\)](#)

[Assembly Instruction](#)