

straight_push_pull_plug

size: 1, IP50, keying: c, number_of_contacts: 10, solder_cup, contact_type: pins, Signal

**Basic information**

| | |
|--------------------|---------------------|
| Part number | S11MCC-P10MCC0-5230 |
| Category | connector |
| Type of connector | plug |
| Assembly situation | straight |
| Size | 1 |

Contact insert description

| | |
|------------------------|------------|
| Transmission type | Signal |
| Number of contacts | 10 |
| Contact type | pins |
| Contact diameter | 0.5 mm |
| Termination type | solder_cup |
| Termination diameter | 0.45 mm |
| Wire cross section AWG | AWG 28 |

Technical information

| | | |
|--|-----------------------------|--|
| Max. current single contact | 4 A | IEC 60512-5-2:2002 (DIN EN 60512-5-2:2003) |
| Max. current insert | 2.2 | VDE 0298-4:2003 |
| Test voltage | 0.6 kV AC | EIA-364-20F:2019-02 |
| Max. creepage distance (contact to contact) | 0.5 mm (Contact to housing) | |
| Max. clearance distance (contact to contact) | 0.5 mm (Contact to contact) | |

Cable description

| | |
|---------------------|----------|
| Cable outlet | back_nut |
| Min. cable diameter | 4 |
| Max. cable diameter | 5.2 |

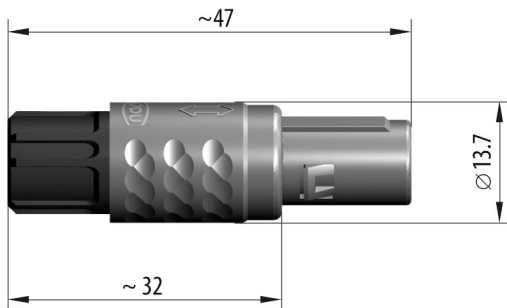
Mechanical and environmental data

| | |
|----------------------------|-----------|
| Locking principle | push_pull |
| Keying | c |
| Mating cycles | 2000 |
| IP class | IP50 |
| Max. operating temperature | 120 °C |
| Min. operating temperature | 50 °C |

Material and surface treatments

| | |
|----------------------------------|----------------------------------|
| Material | cu_alloy_with_matt_chrome_finish |
| Insulator material | peek |
| Contact material | cu_alloy_with_gold_finish |
| Color option (Front or back nut) | white |

DIMENSIONS



CODING: 60°



POSITIONS: 10 Positions



Further technical information and downloads

[3D-File \[STP File\]](#)

[Assembly Instruction](#)