

straight_push_pull_plug

size: 1, IP50, keying: a, number_of_contacts: 9, solder_cup, contact_type: pins, Signal

**Basic information**

| | |
|--------------------|---------------------|
| Part number | S11MA8-P09MCC0-5220 |
| Category | connector |
| Type of connector | plug |
| Assembly situation | straight |
| Size | 1 |

Contact insert description

| | |
|------------------------|-----------------------------|
| Special features | iec_60601_1_2_mopp_&_2_moop |
| Transmission type | Signal |
| Number of contacts | 9 |
| Contact type | pins |
| Contact diameter | 0.5 mm |
| Termination type | solder_cup |
| Termination diameter | 0.45 mm |
| Wire cross section AWG | AWG 28 |

Technical information

| | | |
|--|------------------------------|--|
| Nominal current single contact | 4 A | IEC 60512-5-2:2002 (DIN EN 60512-5-2:2003) |
| Max. current insert | 2.6 | VDE 0298-4:2003 |
| Test voltage | 0.9 kV AC | EIA-364-20F:2019-02 |
| Max. creepage distance (contact to contact) | 0.65 mm (Contact to housing) | |
| Max. creepage distance (contact to housing) | IEC 60601-1: 2MOPP, 2MOOP* | |
| Max. clearance distance (contact to contact) | 0.65 mm (Contact to contact) | |
| Max. clearance distance (contact to housing) | IEC 60601-1: 2MOPP, 2MOOP* | |

Cable description

| | |
|---------------------|----------|
| Cable outlet | back_nut |
| Min. cable diameter | 4 |
| Max. cable diameter | 5.2 |

Mechanical and environmental data

| | |
|----------------------------|-----------|
| Locking principle | push_pull |
| Keying | a |
| Mating cycles | 2000 |
| IP class | IP50 |
| Max. operating temperature | 120 °C |
| Min. operating temperature | 50 °C |

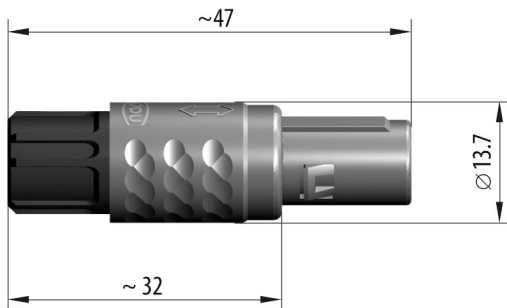
Material and surface treatments

| | |
|----------------------------------|---------------------------|
| Material | psu_black |
| Insulator material | peek |
| Contact material | cu_alloy_with_gold_finish |
| Color option (Front or back nut) | red |

Insulator materials MEDI-SNAP®

psu_peek

DIMENSIONS



CODING: 40°



POSITIONS: 9 Positions



Further technical information and downloads

[3D-File \[STP File\]](#)

[Assembly Instruction](#)