

straight_push_pull_plug

size: 1, IP50, keying: a, number_of_contacts: 7, solder_cup, contact_type: pins, Signal

**Basic information**

Part number	S11MA8-P07MFD0-3950
Category	connector
Type of connector	plug
Assembly situation	straight
Size	1

Contact insert description

Special features	iec_60601_1_2_mopp_&_2_moop
Transmission type	Signal
Number of contacts	7
Contact type	pins
Contact diameter	0.7 mm
Termination type	solder_cup
Termination diameter	0.65 mm
Wire cross section AWG	AWG 26

Technical information

Nominal current single contact	6 A	IEC 60512-5-2:2002 (DIN EN 60512-5-2:2003)
Max. current insert	3.9	VDE 0298-4:2003
Test voltage	1.1 kV AC	EIA-364-20F:2019-02
Max. creepage distance (contact to contact)	0.85 mm (Contact to housing)	
Max. creepage distance (contact to housing)	IEC 60601-1: 2MOPP, 2MOOP*	
Max. clearance distance (contact to contact)	0.85 mm (Contact to contact)	
Max. clearance distance (contact to housing)	IEC 60601-1: 2MOPP, 2MOOP*	

Cable description

Cable outlet	back_nut
Min. cable diameter	2.7
Max. cable diameter	3.9

Mechanical and environmental data

Locking principle	push_pull
Keying	a
Mating cycles	2000
IP class	IP50
Max. operating temperature	120 °C
Min. operating temperature	50 °C

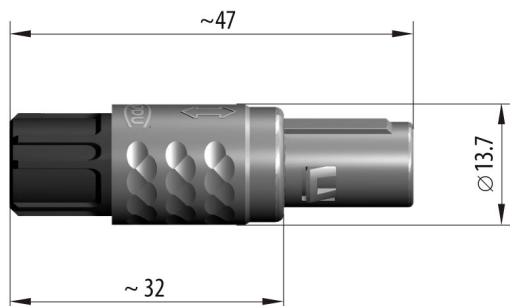
Material and surface treatments

Material	psu_black
Insulator material	peek
Contact material	cu_alloy_with_gold_finish
Color option (Front or back nut)	green

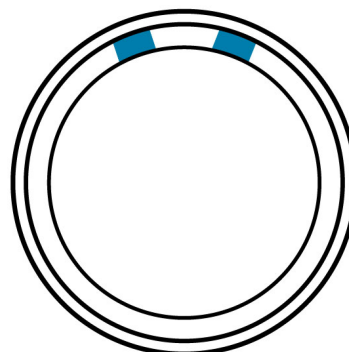
Insulator materials MEDI-SNAP®

psu_peek

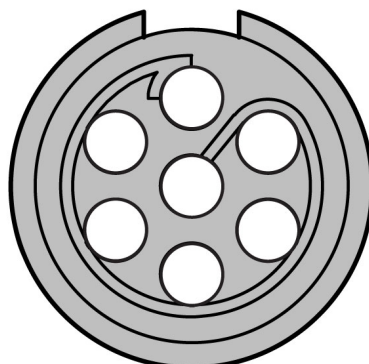
DIMENSIONS



CODING: 40°



POSITIONS: 7 Positions



Further technical information and downloads

[3D-File \[STP File\]](#)

[Assembly Instruction](#)