

**straight\_push\_pull\_plug**

size: 1, IP50, keying: 0, number\_of\_contacts: 2, solder\_cup, contact\_type: pins, Signal

**Basic information**

Part number	S11M08-P02MPHO-5260
Category	connector
Type of connector	plug
Assembly situation	straight
Size	1

**Contact insert description**

Special features	iec_60601_1_2_mopp_&_2_moop
Transmission type	Signal
Number of contacts	2
Contact type	pins
Contact diameter	1.3 mm
Termination type	solder_cup
Termination diameter	1.1 mm
Wire cross section AWG	AWG 20

**Technical information**

Max. current single contact	12 A	IEC 60512-5-2:2002 (DIN EN 60512-5-2:2003)
Max. current insert	12	VDE 0298-4:2003
Test voltage	1.4 kV AC	EIA-364-20F:2019-02
Max. creepage distance (contact to contact)	1.3 mm (Contact to housing)	
Max. creepage distance (contact to housing)	IEC 60601-1: 2MOPP, 2MOOP*	
Max. clearance distance (contact to contact)	1.3 mm (Contact to contact)	
Max. clearance distance (contact to housing)	IEC 60601-1: 2MOPP, 2MOOP*	

## Cable description

Cable outlet	back_nut
Min. cable diameter	4
Max. cable diameter	5.2

## Mechanical and environmental data

Locking principle	push_pull
Mating cycles	2.000
IP class	IP50
Max. operating temperature	120 °C
Min. operating temperature	-50 °C
Weight	4.88 g

## Material and surface treatments

Material	psu_black
Contact material	gold
Color option (Front or back nut)	blue

## Insulator materials MEDI-SNAP®

psu\_peek

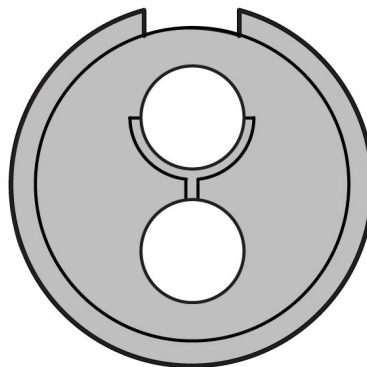
## DIMENSIONS



## CODING: 0°



## POSITIONS: 2 Positions



### Further technical information and downloads

[3D-File \[STP File\]](#)

[Assembly Instruction](#)