

## straight\_push\_pull\_plug\_for\_bend\_relief

size: 0, IP6K8 / IP6K9K, keying: a, number\_of\_contacts: 7, solder\_cup, contact\_type: pins, Signal



### Basic information

Part number	S10YAR-P07XCD0-0000
Category	connector
Type of connector	plug
Assembly situation	straight

### Contact insert description

Transmission type	Signal
Number of contacts	7
Contact type	pins
Contact diameter	0.5 mm
Termination type	solder_cup
Termination diameter	0.65 mm
Wire cross section AWG	AWG 26

### Technical information

Nominal current single contact	5 A	IEC 60512-5-2:2002 (DIN EN 60512-5-2:2003)
Max. current insert	3.25	VDE 0298-4:2003
Test voltage	0.9 kV AC	EIA-364-20F:2019-02

### Cable description

Cable outlet	overmolding
Min. cable diameter	3
Max. cable diameter	5.5

## Mechanical and environmental data

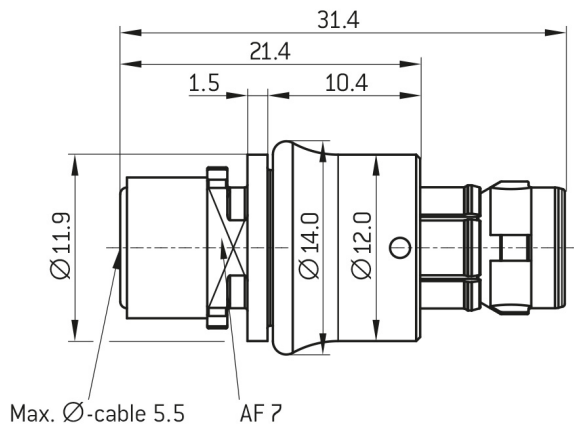
Locking principle	push_pull
Keying	a
Mating cycles	5000
IP class	IP6K8 / IP6K9K
Max. operating temperature	125 °C
Min. operating temperature	-51 °C
Weight	5.3 g

ip\_protection\_class\_refers\_to\_mated\_condition

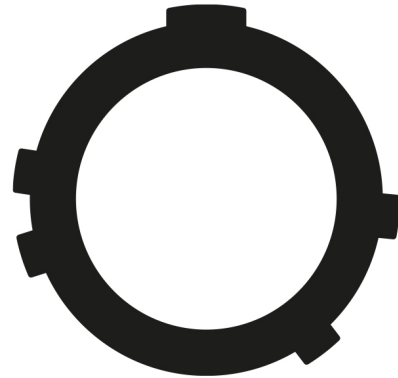
## Material and surface treatments

Material	aluminum_with_ruthenium_finish
Insulator material	peek
Contact material	cu_alloy_with_gold_finish

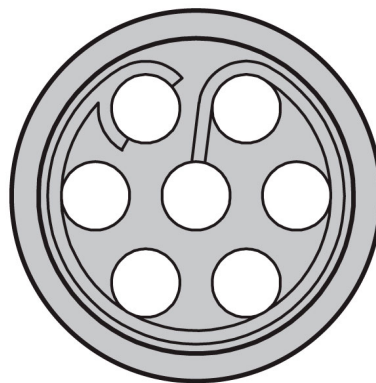
### DIMENSIONS:



### CODING:A



### POSITIONS: 7 Positions



### Further technical information and downloads

[3D-File \[STP File\]](#)

[Assembly Instruction](#)