

**K42BCC-P10LJG0-900S**  
 series\_b  
 type\_k4

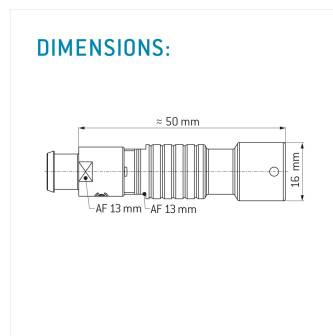


**General information**

Part number	K42BCC-P10LJG0-900S
Termination	solder
Size	2
Locking principle	break , push
Coding	c_key
Cable Diameter	cable_mini_90
Cable outlet	bend_relief



Illustrations may differ from original product.  
 Dimensions, unless otherwise specified, in mm.



The pin layout corresponds to the view on the termination area

**Contact insert description**

Number of contacts	10
Contact type	sockets
Contact diameter	09mm
Insulator material	peek
Wire cross section	22_awg
Termination	solder
Termination diameter	085mm

reverse\_gender\_on\_request

**Technical information**

Max. creepage and air clearance distance	10_mm	12_mm
Nominal current single contact	075_a	iec_60512_5_2
Nominal current insert	4,125 A	vde_0298_4
Test voltage	15_kv_ac	sae_13441

safety\_text

## Mechanical and environmental data

Degree of protection*	ip68
Operating temperature	40_120_c
Mating cycles	5000

mated

## Material and surface treatments

Housing	m_chrome
Contact	cu_alloy_gold

safety\_text\_2  
ul\_text  
illustrative\_text