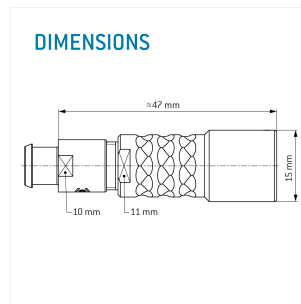
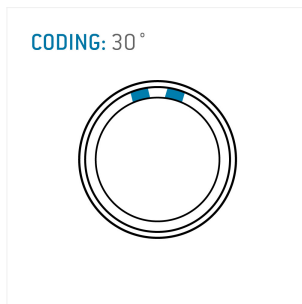


General information

|                   |                     |
|-------------------|---------------------|
| Part number       | K21KAC-P04LJG0-700S |
| Termination       | solder              |
| Size              | 1                   |
| Locking principle | break , push        |
| Coding            | a_key               |
| Cable Diameter    | cable_mini_70       |
| Cable outlet      | bend_relief         |



Illustrations may differ from original product. Dimensions, unless otherwise specified, in mm.



The pin layout corresponds to the view on the termination area

Contact insert description

|                      |              |
|----------------------|--------------|
| Number of contacts   | 4            |
| Contact type         | sockets      |
| Contact diameter     | 09mm         |
| Insulator material   | peek         |
| Wire cross section   | 22_awg       |
| Termination          | solder       |
| Termination diameter | 085mm        |
| Data transmission    | ethernet_100 |

reverse\_gender\_on\_request

Technical information

|                                          |          |               |
|------------------------------------------|----------|---------------|
| Max. creepage and air clearance distance | 10_mm    | 11_mm         |
| Nominal current single contact           | 075_a    | iec_60512_5_2 |
| Nominal current insert                   | 7,5 A    | vde_0298_4    |
| Test voltage                             | 15_kv_ac | sae_13441     |

safety\_text

## Mechanical and environmental data

|                       |      |
|-----------------------|------|
| Degree of protection* | ip68 |
|-----------------------|------|

|                       |          |
|-----------------------|----------|
| Operating temperature | 40_120_c |
|-----------------------|----------|

|               |      |
|---------------|------|
| Mating cycles | 5000 |
|---------------|------|

mated

## Material and surface treatments

|         |          |
|---------|----------|
| Housing | m_chrome |
|---------|----------|

|         |               |
|---------|---------------|
| Contact | cu_alloy_gold |
|---------|---------------|

safety\_text\_2

data\_text

ul\_text

illustrative\_text