

## straight\_in\_line\_receptacle\_with\_break\_away\_locking\_for\_bend\_relief

size\_00\_ip6k8\_ip6k9k\_coding\_a\_light\_brown\_4\_contacts\_sockets\_solder\_cup\_signal\_transmission



### Basic information

Part number	K1CWAM-P04WBC0-0000
Category	connector
Type of connector	in_line_receptacle
Assembly situation	straight
Size	00

### Contact insert description

Transmission type	Signal
Number of contacts	4
Contact type	sockets
Contact diameter	0.3 mm
Termination type	solder_cup
Termination diameter	0.45 mm
Wire cross section AWG	AWG 28

### Technical information

Max. current single contact	1 A	IEC 60512-5-2:2002 (DIN EN 60512-5-2:2003)
Max. current insert	1 A	VDE 0298-4:2013
Test voltage	0.9 kV DC	EIA-364-20F:2019-02

### Cable description

Cable outlet	overmolding
Min. cable diameter	3.2
Max. cable diameter	5

## Mechanical and environmental data

Locking principle	break_away
Keying	a
Mating cycles	5.000
IP class	IP68 / IP6K9K
Max. operating temperature	125 °C
Min. operating temperature	-51 °C
Weight	4.68 g

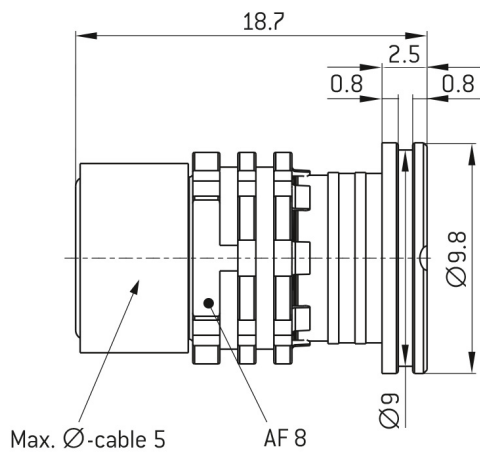
ip\_protection\_class\_refers\_to\_mated\_condition

## Material and surface treatments

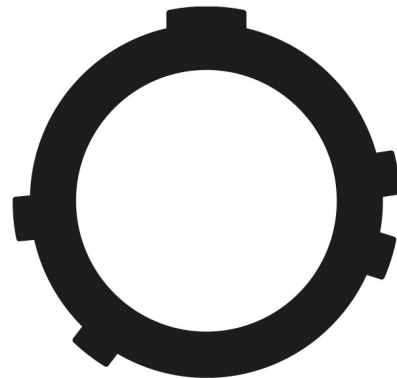
Material	cu_alloy_with_ruthenium_finish
Contact material	gold

## Graphics and technical drawings

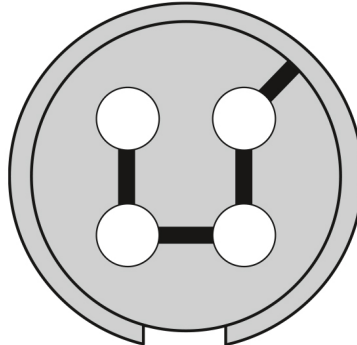
### DIMENSIONS:



### CODING:A



### POSITIONS: 4 positions



## Further technical information and downloads

[3D-File \[STP File\]](#)

[Assembly Instruction](#)

[Technical specifications](#)