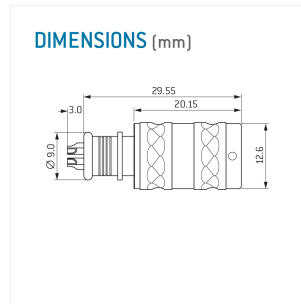
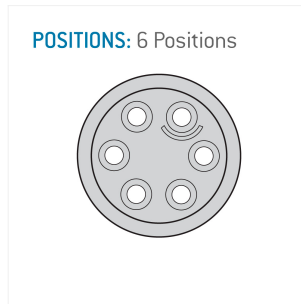
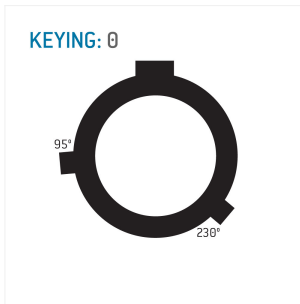


General information

Part number	K16NOP-P06W230-0000
Termination	solder
Size	6 (STANAG 4695)
Locking principle	break
Coding	np_key_95_230
Cable Diameter	cable_amc_np
Cable outlet	overmolding



Illustrations may differ from original product. Dimensions, unless otherwise specified, in mm.



The pin layout corresponds to the view on the termination area

Contact insert description

Number of contacts	6
Contact type	sockets
Contact diameter	07mm
Insulator material	peek
Wire cross section	22_awg
Termination	solder
Data transmission	usb_2

Technical information

Nominal current single contact	05_a_75_a	eia_364_70d
Test voltage	075_kv_ac	eia_364_20f

safety_text

Mechanical and environmental data

Degree of protection*	ip68
Operating temperature	18_71_c
Mating cycles	2000

mated

Material and surface treatments

Housing	alu_black_carbon
Contact	cu_alloy_gold

safety_text_2
illustrative_text