

## straight\_in\_line\_receptacle\_with\_break\_away\_and\_push\_pull\_locking\_for\_bend\_relief

size: 3, IP6K8 / IP6K9K, keying: a, number\_of\_contacts: 18, solder\_cup, contact\_type: sockets, Signal



### Basic information

Part number	K13YAR-P18WJG0-0000
Category	connector
Type of connector	in_line_receptacle
Assembly situation	straight
Size	3

### Contact insert description

Transmission type	Signal
Number of contacts	18
Contact type	sockets
Contact diameter	0.9 mm
Termination type	solder_cup
Termination diameter	0.85 mm
Wire cross section AWG	AWG 22

### Technical information

Max. current single contact	10 A	IEC 60512-5-2:2002 (DIN EN 60512-5-2:2003)
Max. current insert	5	VDE 0298-4:2003
Test voltage	1.35 kV AC	EIA-364-20F:2019-02

### Cable description

Cable outlet	overmolding
Min. cable diameter	6
Max. cable diameter	11.5

## Mechanical and environmental data

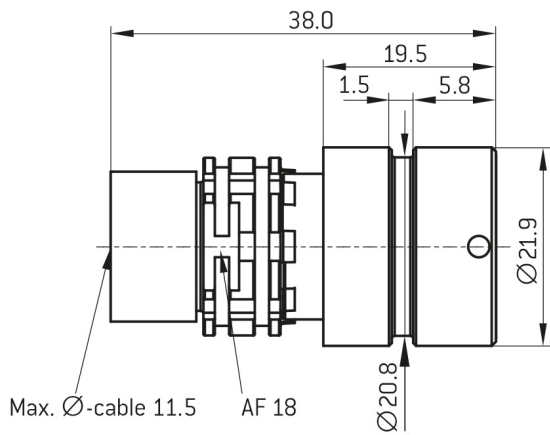
Locking principle	break_away , push_pull
Keying	a
Mating cycles	5.000
IP class	IP6K8 / IP6K9K
Max. operating temperature	125 °C
Min. operating temperature	-51 °C
Weight	27.62 g

ip\_protection\_class\_refers\_to\_mated\_condition

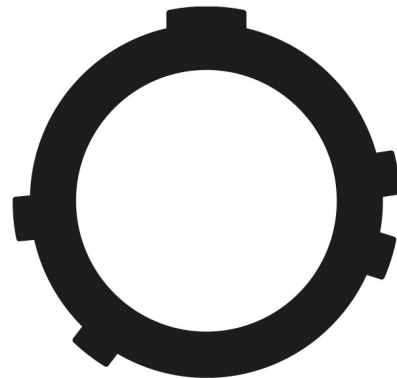
## Material and surface treatments

Material	aluminum_with_ruthenium_finish
Contact material	gold

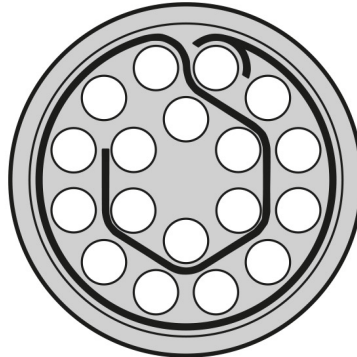
### DIMENSIONS:



### CODING:A



### POSITIONS: 18 positions



### Further technical information and downloads

[3D-File \[STP File\]](#)

[Assembly Instruction](#)