

straight_in_line_receptacle_with_break_away_and_push_pull_locking

size: 1, IP50, keying: c, number_of_contacts: 4, solder_cup, contact_type: sockets, Signal



Basic information

| | |
|--------------------|---------------------|
| Part number | K11MC7-P04LJG0-3960 |
| Category | connector |
| Type of connector | in_line_receptacle |
| Assembly situation | straight |
| Size | 1 |

Contact insert description

| | |
|------------------------|-----------------------------|
| Special features | iec_60601_1_1_mopp & 2_moop |
| Transmission type | Signal |
| Number of contacts | 4 |
| Contact type | sockets |
| Contact diameter | 0.9 mm |
| Termination type | solder_cup |
| Termination diameter | 0.85 mm |
| Wire cross section AWG | AWG 22 |

Technical information

| | | |
|--|-----------------------------|--|
| Max. current single contact | 7.5 A | IEC 60512-5-2:2002 (DIN EN 60512-5-2:2003) |
| Max. current insert | 7.5 | VDE 0298-4:2003 |
| Test voltage | 1.3 kV AC | EIA-364-20F:2019-02 |
| Max. creepage distance (contact to contact) | 1.2 mm (Contact to housing) | |
| Max. creepage distance (contact to housing) | IEC 60601-1: 1MOPP. 2M00P* | |
| Max. clearance distance (contact to contact) | 1.2 mm (Contact to contact) | |
| Max. clearance distance (contact to housing) | IEC 60601-1: 1MOPP. 2M00P* | |

Cable description

| | |
|---------------------|----------|
| Cable outlet | back_nut |
| Min. cable diameter | 2.7 |
| Max. cable diameter | 3.9 |

Mechanical and environmental data

| | |
|----------------------------|------------------------|
| Locking principle | break_away , push_pull |
| Keying | coding_60° |
| Mating cycles | 2.000 |
| IP class | IP50 |
| Max. operating temperature | 120 °C |
| Min. operating temperature | -50 °C |
| Weight | 37 g |

Material and surface treatments

| | |
|----------------------------------|----------|
| Material | psu_gray |
| Contact material | gold |
| Color option (Front or back nut) | blue |

Insulator materials MEDI-SNAP®

psu_peek

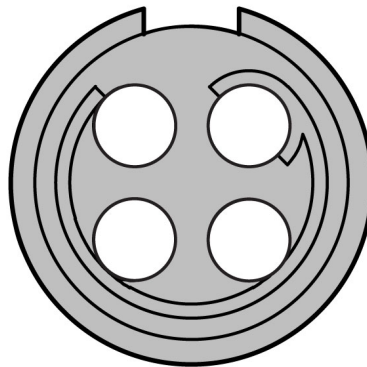
DIMENSIONS



CODING: 60°



POSITIONS: 4 Positions



Further technical information and downloads

[3D-File \[STP File\]](#)

[Assembly Instruction](#)