

receptacle_with_break_away_locking_for_rear_panel_mounting

size_00_ip6k8_ip6k9k_coding_d_green_4_contacts_sockets_pcb_data_transmission



Basic information

Part number	GKCWDM-P04UB00-000L
Category	connector
Type of connector	receptacle
Assembly situation	rear_panel_mounting
Size	00

Contact insert description

Special features	data_transmission
Transmission type	USB® 2.0 [480 Mbit/s]
Number of contacts	4
Contact type	sockets
Contact diameter	0.3 mm
Termination type	pcb
Termination diameter	0.3 mm

Technical information

Max. current single contact	3 A	IEC 60512-5-2:2002 (DIN EN 60512-5-2:2003)
Max. current insert	3 A	VDE 0298-4:2013
Test voltage	0.75 kV DC	EIA-364-20F:2019-02

Mechanical and environmental data

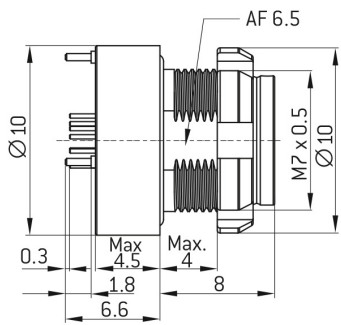
Locking principle	break_away
Keying	d
Mating cycles	5.000
IP class	IP68 / IP6K9K
Max. operating temperature	125 °C
Min. operating temperature	-51 °C
Tightening torque	0.5 Nm

ip_protection_class_refers_to_mated_condition

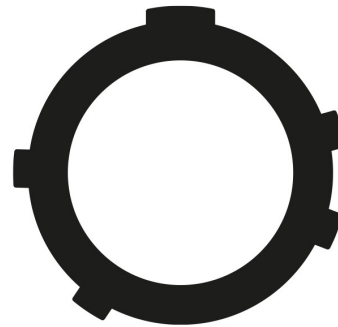
Material and surface treatments

Material	cu_alloy_with_ruthenium_finish
Contact material	gold

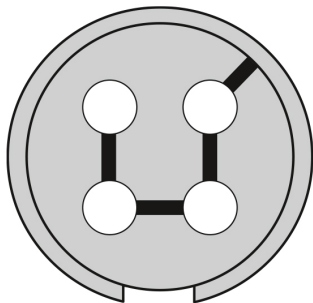
DIMENSIONS:



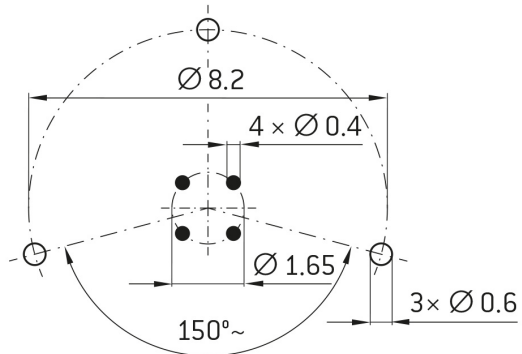
CODING:C



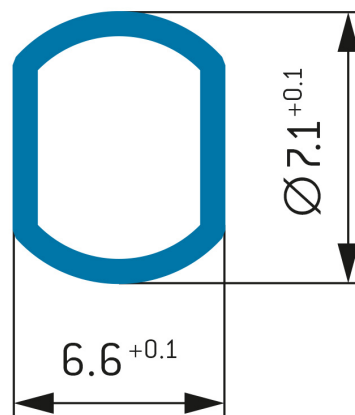
POSITIONS: 4 positions



PCB-LAYOUT:



PANEL CUT OUT:



f_graphics_pcb_layout_sockets

Further technical information and downloads

Connection diagram

connection_diagram_04_pin_usb_2_0_typ_a_amc_hd_bg_00

[3D-File \(STP File\)](#)

[Technical specifications](#)