

receptacle_with_break_away_locking_for_rear_panel_mounting

size_00_ip6k8_ip6k9k_coding_d_green_2_contacts_sockets_solder_cup_signal_transmission



Basic information

Part number	GKCWDM-P02WCE0-000L
Category	connector
Type of connector	receptacle
Assembly situation	rear_panel_mounting
Size	00

Contact insert description

Transmission type	Signal
Number of contacts	2
Contact type	sockets
Contact diameter	0.5 mm
Termination type	solder_cup
Termination diameter	0.7 mm
Wire cross section AWG	AWG 24

Technical information

Max. current single contact	3 A	IEC 60512-5-2:2002 (DIN EN 60512-5-2:2003)
Max. current insert	3 A	VDE 0298-4:2013
Test voltage	1.2 kV DC	EIA-364-20F:2019-02

Mechanical and environmental data

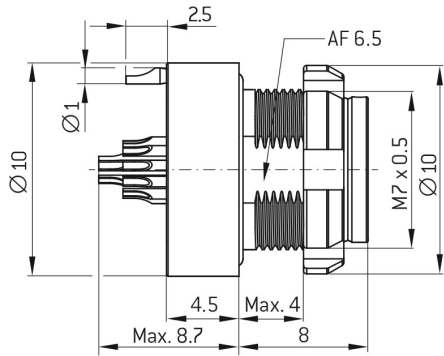
Locking principle	break_away
Keying	d
Mating cycles	5.000
IP class	IP68 / IP6K9K
Max. operating temperature	125 °C
Min. operating temperature	-51 °C
Tightening torque	0.5 Nm
Weight	3.75 g

ip_protection_class_refers_to_mated_condition

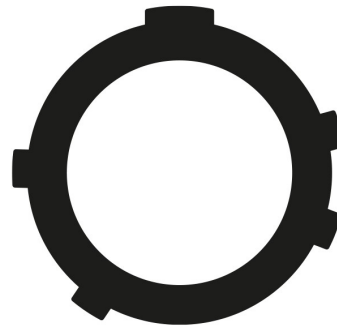
Material and surface treatments

Material	cu_alloy_with_ruthenium_finish
Contact material	gold

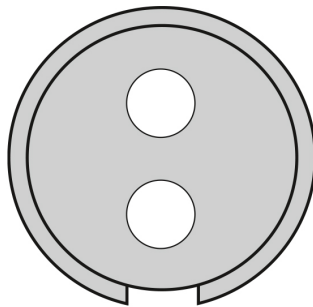
DIMENSIONS:



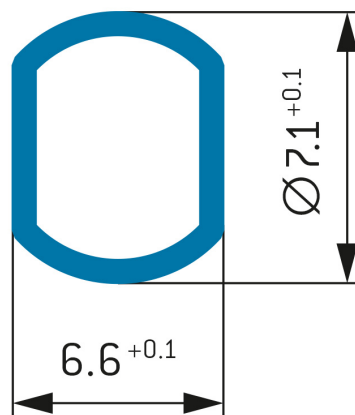
CODING:C



POSITIONS: 2 positions



PANEL CUT OUT:



Further technical information and downloads

[3D-File \(STP File\)](#)

[Technical specifications](#)