

receptacle_with_break_away_locking_for_rear_panel_mounting

size_00_ip6k8_ip6k9k_coding_c_blue_7_contacts_sockets_pcb_signal_transmission



Basic information

| | |
|--------------------|---------------------|
| Part number | GKCWCM-P07UB00-000L |
| Category | connector |
| Type of connector | receptacle |
| Assembly situation | rear_panel_mounting |
| Size | 00 |

Contact insert description

| | |
|----------------------|---------|
| Transmission type | Signal |
| Number of contacts | 7 |
| Contact type | sockets |
| Contact diameter | 0.3 mm |
| Termination type | pcb |
| Termination diameter | 0.3 mm |

Technical information

| | | |
|-----------------------------|------------|--|
| Max. current single contact | 1 A | IEC 60512-5-2:2002 (DIN EN 60512-5-2:2003) |
| Max. current insert | 0.65 A | VDE 0298-4:2013 |
| Test voltage | 0.75 kV DC | EIA-364-20F:2019-02 |

Mechanical and environmental data

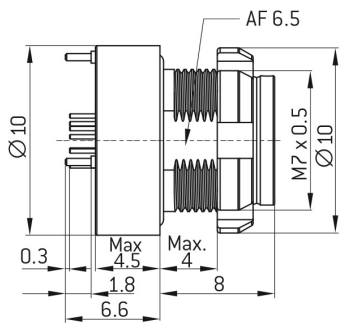
| | |
|----------------------------|---------------|
| Locking principle | break_away |
| Keying | c |
| Mating cycles | 5.000 |
| IP class | IP68 / IP6K9K |
| Max. operating temperature | 125 °C |
| Min. operating temperature | -51 °C |
| Tightening torque | 0.5 Nm |
| Weight | 3.9 g |

ip_protection_class_refers_to_mated_condition

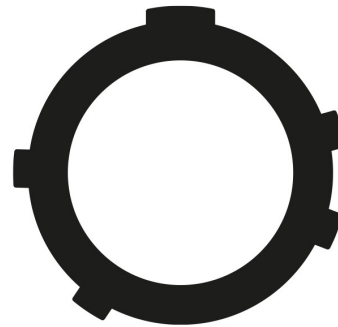
Material and surface treatments

| | |
|-------------------------|--------------------------------|
| Material | cu_alloy_with_ruthenium_finish |
| Contact material | gold |

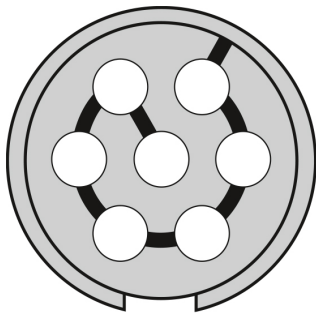
DIMENSIONS:



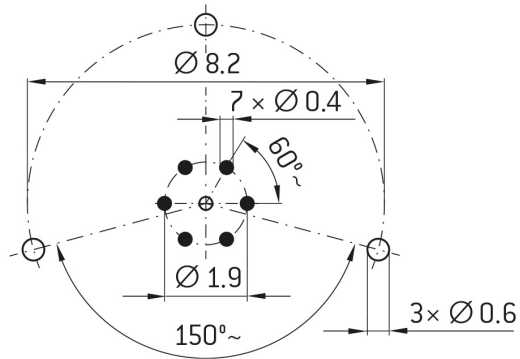
CODING:C



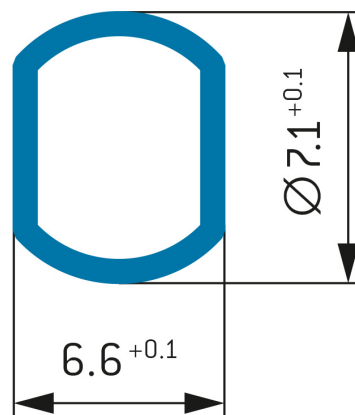
POSITIONS: 7 positions



PCB-LAYOUT:



PANEL CUT OUT:



Further technical information and downloads

[3D-File \(STP File\)](#)

[Technical specifications](#)