

## receptacle\_with\_break\_away\_locking\_for\_rear\_panel\_mounting

size: 1.5, IP6K8 / IP6K9K, keying: b, number\_of\_contacts: 19, pcb, contact\_type: sockets, Signal



### Basic information

Part number	GKAYBR-P19UC00-000L
Category	connector
Type of connector	receptacle
Assembly situation	rear_panel_mounting
Size	1.5

### Contact insert description

Transmission type	Signal
Number of contacts	19
Contact type	sockets
Contact diameter	0.5 mm
Termination type	pcb
Termination diameter	0.5 mm

### Technical information

Max. current single contact	5 A	IEC 60512-5-2:2002 (DIN EN 60512-5-2:2003)
Max. current insert	2.25	VDE 0298-4:2003
Test voltage	0.8 kV AC	EIA-364-20F:2019-02

### Mechanical and environmental data

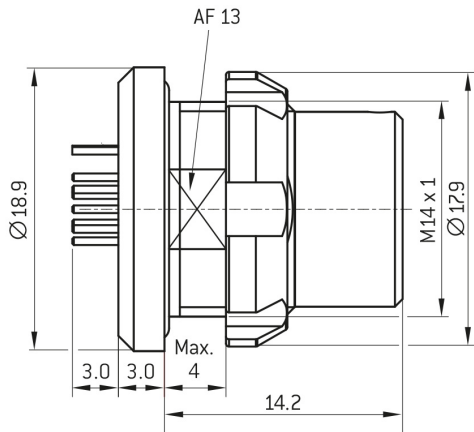
Locking principle	break_away , push_pull
Keying	b
Mating cycles	5.000
IP class	IP6K8 / IP6K9K
Max. operating temperature	125 °C
Min. operating temperature	-51 °C
Tightening torque	3 Nm
Weight	7.38 g

ip\_protection\_class\_refers\_to\_mated\_condition

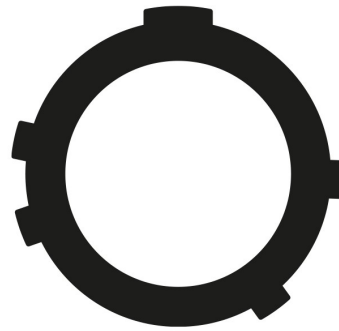
## Material and surface treatments

Material	aluminum_with_ruthenium_finish
Contact material	gold

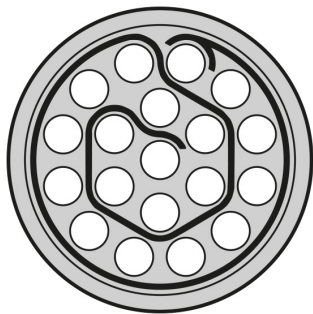
**DIMENSIONS:**



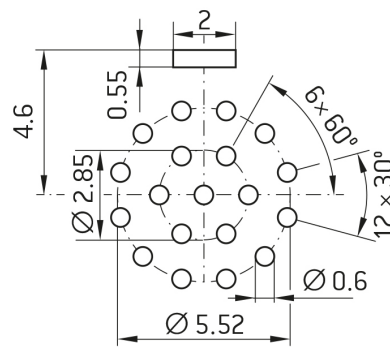
**CODING:**B



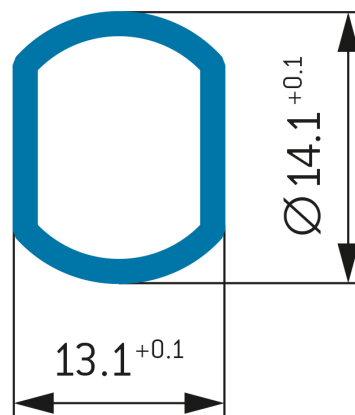
**POSITIONS:** 19 positions



**PCB-LAYOUT:**



**PANEL CUT OUT:**



## Further technical information and downloads

[3D-File \(STP File\)](#)

[Assembly Instruction](#)