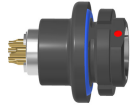


receptacle_with_break_away_locking

size: 6 [STANAG 4695], IP68, keying: 0, number_of_contacts: 6, solder_cup, contact_type: sockets, USB® 2.0 [480 Mbit/s]



Basic information

Part number	GK6NOP-P06W230-0000
Category	connector
Type of connector	receptacle
Assembly situation	rear_panel_mounting
Size	6 [STANAG 4695]

Contact insert description

Special features	data_transmission
Transmission type	USB® 2.0 [480 Mbit/s]
Number of contacts	6
Contact type	sockets
Contact diameter	0.7 mm
Termination type	solder_cup
Termination diameter	0.85 mm
Wire cross section AWG	AWG 22

Technical information

Nominal current single contact	7.5 A	EIA-364-70D
Test voltage	0.75 kV AC	EIA-364-20F:2019-02

Cable description

Cable outlet	overmolding
--------------	-------------

Mechanical and environmental data

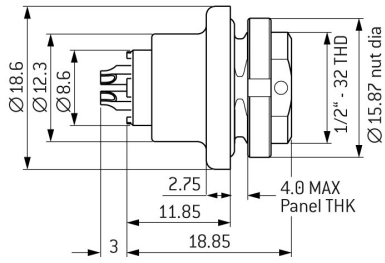
Locking principle	break_away
Mating cycles	2.000
IP class	IP68
Max. operating temperature	50 °C
Min. operating temperature	-18 °C
Weight	5.09 g

ip_protection_class_refers_to_mated_condition

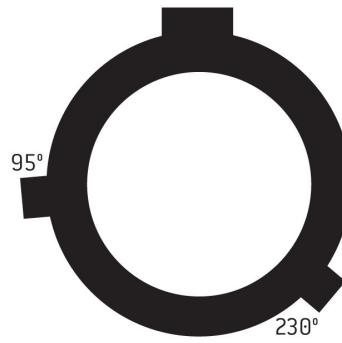
Material and surface treatments

Material	aluminum_with_nickel_finish
Insulator material	peek
Contact material	cu_alloy_with_gold_finish

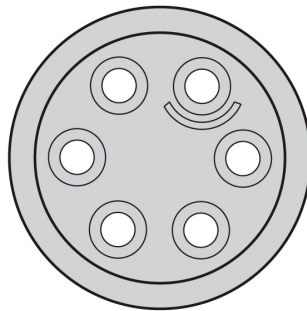
DIMENSIONS (mm)



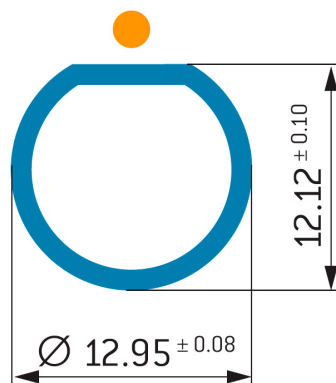
KEYING: 0



POSITIONS: 6 Positions



PANEL CUT OUT:



Further technical information and downloads

[3D-File \(STP File\)](#)