

## receptacle\_with\_break\_away\_locking\_for\_rear\_panel\_mounting

size: 2, IP6K8 / IP6K9K, keying: a, number\_of\_contacts: 8, pcb, contact\_type: sockets, Ethernet/IP® (10 Gbit/s)



### Basic information

Part number	GK2YAR-PD8UJ00-000L
Category	connector
Type of connector	receptacle
Assembly situation	rear_panel_mounting
Size	2

### Contact insert description

Special features	data_transmission
Transmission type	Ethernet/IP® (10 Gbit/s)
Number of contacts	8
Contact type	sockets
Contact diameter	0.9 mm
Termination type	pcb
Termination diameter	0.7 mm

### Technical information

Max. current single contact	10 A	IEC 60512-5-2:2002 (DIN EN 60512-5-2:2003)
Max. current insert	4.55	VDE 0298-4:2003
Test voltage	1.5 kV AC	EIA-364-20F:2019-02

### Mechanical and environmental data

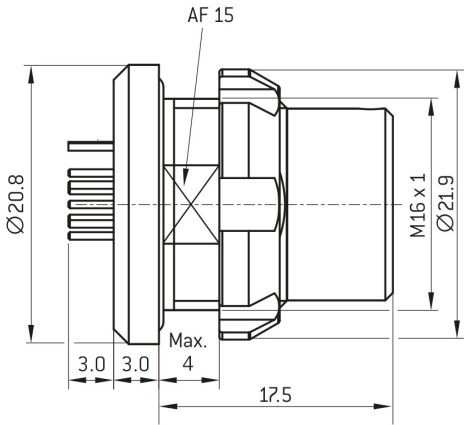
Locking principle	break_away , push_pull
Keying	a
Mating cycles	5.000
IP class	IP6K8 / IP6K9K
Max. operating temperature	125 °C
Min. operating temperature	-51 °C
Tightening torque	4 Nm
Weight	11.23 g

ip\_protection\_class\_refers\_to\_mated\_condition

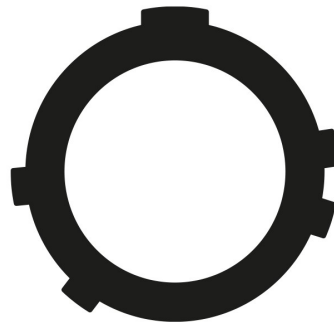
## Material and surface treatments

Material	aluminum_with_ruthenium_finish
Contact material	gold

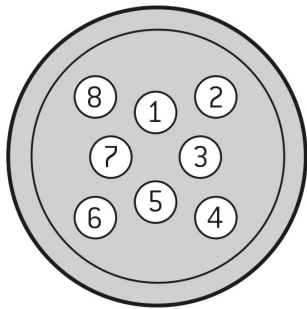
**DIMENSIONS:**



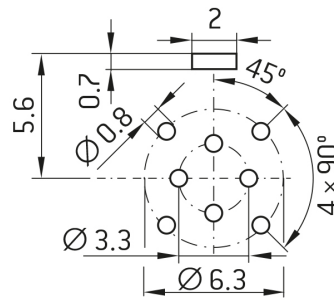
**CODING:A**



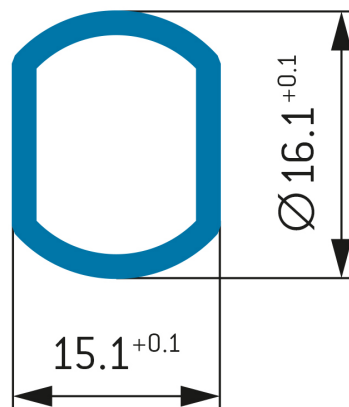
**POSITIONS: 8 positions**



**PCB-LAYOUT:**



**PANEL CUT OUT:**



## Further technical information and downloads

Connection diagram [connection\\_diagram\\_8\\_pin\\_ethernet\\_1gbs\\_10gbs\\_rj45](#)

[3D-File \(STP File\)](#)

[Assembly Instruction](#)