

## receptacle\_with\_break\_away\_locking\_for\_rear\_panel\_mounting

size: 2, IP6K8 / IP6K9K, keying: a, number\_of\_contacts: 6, pcb, contact\_type: sockets, Signal



### Basic information

Part number	GK2YAR-P06UP00-000L
Category	connector
Type of connector	receptacle
Assembly situation	rear_panel_mounting
Size	2

### Contact insert description

Transmission type	Signal
Number of contacts	6
Contact type	sockets
Contact diameter	1.3 mm
Termination type	pcb
Termination diameter	0.7 mm

### Technical information

Max. current single contact	14 A	IEC 60512-5-2:2002 (DIN EN 60512-5-2:2003)
Max. current insert	5.25	VDE 0298-4:2003
Test voltage	800 V	EIA-364-20F:2019-02

### Mechanical and environmental data

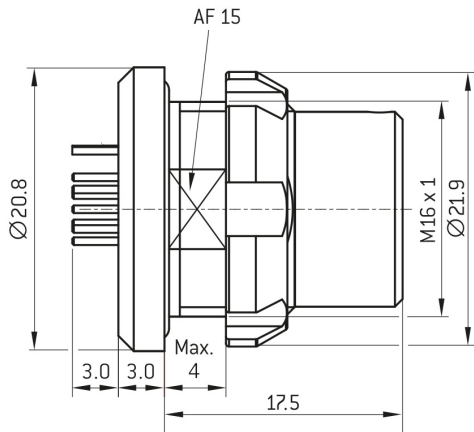
Locking principle	break_away , push_pull
Keying	a
Mating cycles	5.000
IP class	IP6K8 / IP6K9K
Max. operating temperature	125 °C
Min. operating temperature	-51 °C
Tightening torque	4 Nm
Weight	11.58 g

ip\_protection\_class\_refers\_to\_mated\_condition

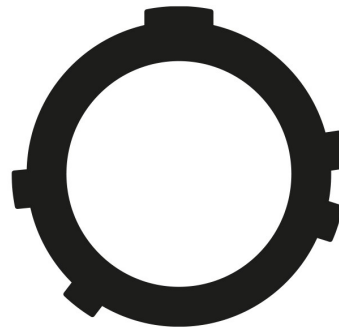
## Material and surface treatments

Material	aluminum_with_ruthenium_finish
Contact material	gold

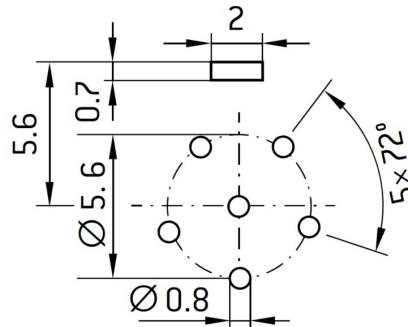
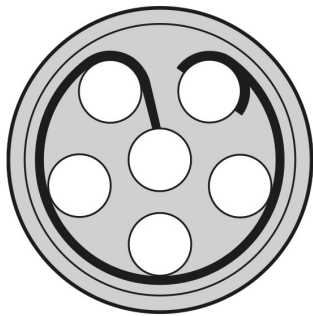
**DIMENSIONS:**



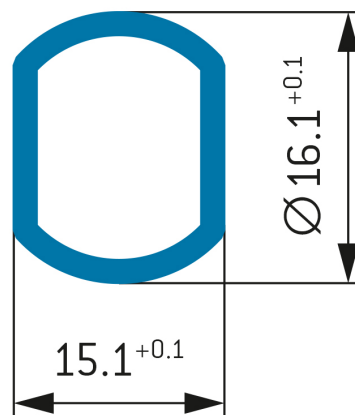
**CODING:A**



**POSITIONS: 6 positions**



**PANEL CUT OUT:**



f\_graphics\_pcb\_layout\_sockets

## Further technical information and downloads

[3D-File \(STP File\)](#)

[Assembly Instruction](#)