

receptacle_with_break_away_locking_for_rear_panel_mounting

size: 0, IP6K8 / IP6K9K, keying: d, number_of_contacts: 4, pcb, contact_type: sockets, USB® 2.0 [480 Mbit/s]



Basic information

Part number	GK0YDR-P04UF00-000L
Category	connector
Type of connector	receptacle
Assembly situation	rear_panel_mounting

Contact insert description

Special features	data_transmission
Transmission type	USB® 2.0 [480 Mbit/s]
Number of contacts	4
Contact type	sockets
Contact diameter	0.7 mm
Termination type	pcb
Termination diameter	0.5 mm

Technical information

Nominal current single contact	7 A	IEC 60512-5-2:2002 (DIN EN 60512-5-2:2003)
Max. current insert	5	VDE 0298-4:2003
Test voltage	0.9 kV AC	EIA-364-20F:2019-02

Mechanical and environmental data

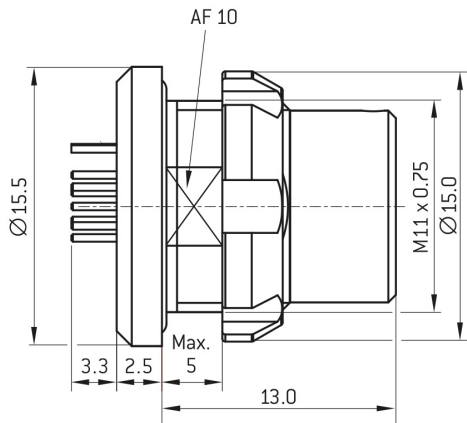
Locking principle	break_away , push_pull
Keying	d
Mating cycles	5.000
IP class	IP6K8 / IP6K9K
Max. operating temperature	125 °C
Min. operating temperature	-51 °C
Tightening torque	1 Nm
Weight	4 g

ip_protection_class_refers_to_mated_condition

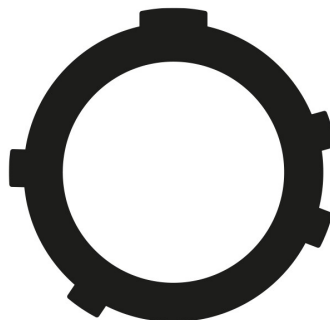
Material and surface treatments

Material	aluminum_with_ruthenium_finish
Contact material	gold

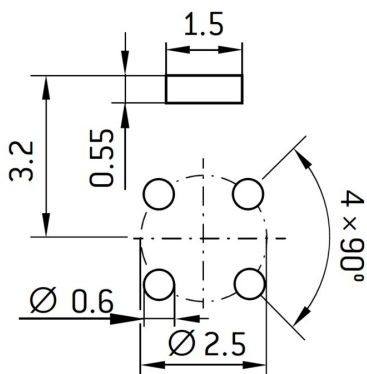
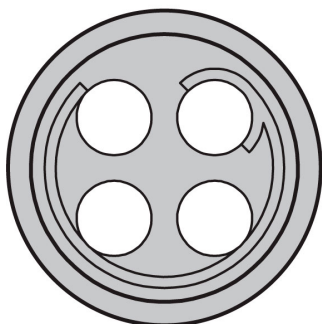
DIMENSIONS:



CODING:C

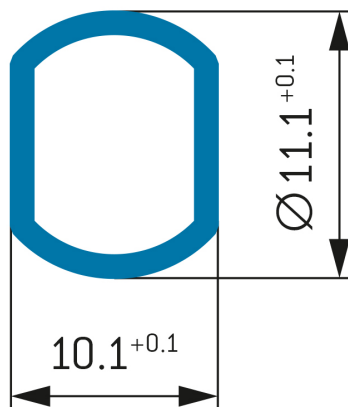


POSITIONS: 4 Positions



Length earth tag and pin 4.3

PANEL CUT OUT:



Further technical information and downloads

Connection diagram

connection_diagram_04_pin_usb_2_0_typ_a

[3D-File \(STP File\)](#)

[Assembly Instruction](#)