

## receptacle\_with\_break\_away\_locking\_for\_rear\_panel\_mounting

size: 0, IP6K8 / IP6K9K, keying: a, number\_of\_contacts: 10, solder\_cup, contact\_type: sockets, Signal



### Basic information

Part number	GKOYAR-P10WCD0-000L
Category	connector
Type of connector	receptacle
Assembly situation	rear_panel_mounting

### Contact insert description

Transmission type	Signal
Number of contacts	10
Contact type	sockets
Contact diameter	0.5 mm
Termination type	solder_cup
Termination diameter	0.65 mm
Wire cross section AWG	AWG 26

### Technical information

Nominal current single contact	5 A	IEC 60512-5-2:2002 (DIN EN 60512-5-2:2003)
Max. current insert	2.75	VDE 0298-4:2003
Test voltage	0.6 kV AC	EIA-364-20F:2019-02

### Mechanical and environmental data

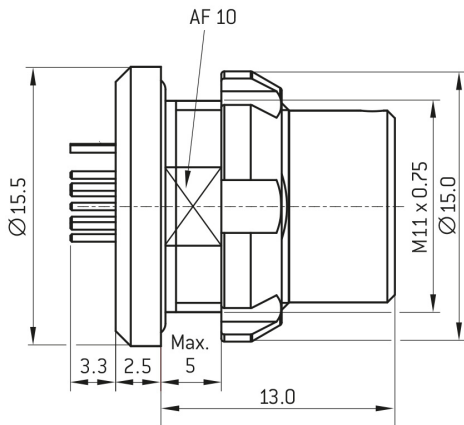
Locking principle	break_away , push_pull
Keying	a
Mating cycles	5.000
IP class	IP6K8 / IP6K9K
Max. operating temperature	125 °C
Min. operating temperature	-51 °C
Tightening torque	1 Nm
Weight	3.97 g

ip\_protection\_class\_refers\_to\_mated\_condition

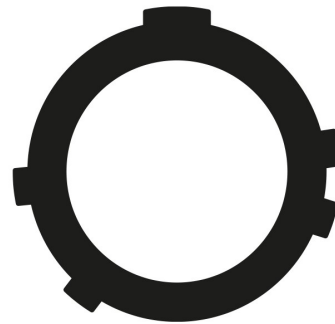
## Material and surface treatments

<b>Material</b>	aluminum_with_ruthenium_finish
<b>Contact material</b>	cu_alloy_with_gold_finish

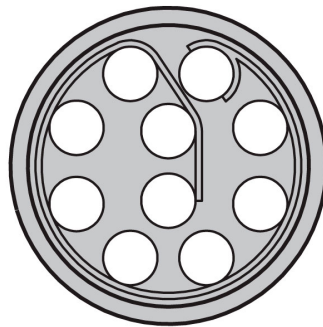
**DIMENSIONS:**



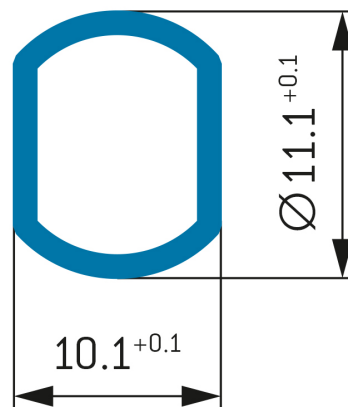
**CODING:**A



**POSITIONS:** 10 Positions



**PANEL CUT OUT:**



## Further technical information and downloads

[3D-File \(STP File\)](#)

[Assembly Instruction](#)