

## Receptacle with break-away locking for rear panel mounting

Size 0, IP6K8 / IP6K9K, Coding D (green), 12 contacts, Sockets, Solder cup, Data transmission



### Basic information

Part number	GKOWDM-PD1WMM0-000L
Category	Connector
Type of connector	Receptacle
Assembly situation	Rear panel mounting

### Contact insert description

Special features	Data transmission
Transmission type	USB® 3.2 Gen 1x1 (5 Gbit/s)
Number of contacts	12
Contact type	Sockets
Contact diameter	0.3 mm; 0.7 mm
Termination type	Solder cup
Termination diameter	0.85 mm
Wire cross section AWG	AWG 28; AWG 22

Reverse gender on request

### Technical information

Nominal current single contact	1 A	IEC 60512-5-2:2002 (DIN EN 60512-5-2:2003)
Test voltage	0.75 kV DC	EIA-364-20F:2019-02

All shown connectors are rated to a safety extra low voltage (SELV) of less than 50 V AC / 75 V DC, according to IEC 61140:2016 (VDE 0140-1:2016) Protection against electric shock - Common aspects for installation and equipment. In case other standards rule a specific use of the connector, the application specific safety criteria shall be considered first. In this context, lower voltage ratings may be valid. Warning: Danger to life for operating voltages above 50 V AC / 120 V DC!

## Mechanical and environmental data

<b>Locking principle</b>	Break-Away
<b>Keying</b>	D
<b>Mating cycles</b>	5.000
<b>IP class</b>	IP68 / IP6K9K
<b>Max. operating temperature</b>	125 °C
<b>Min. operating temperature</b>	-51 °C
<b>Tightening torque</b>	1 Nm
<b>Weight</b>	6.31 g

\*IP protection class refers to mated condition

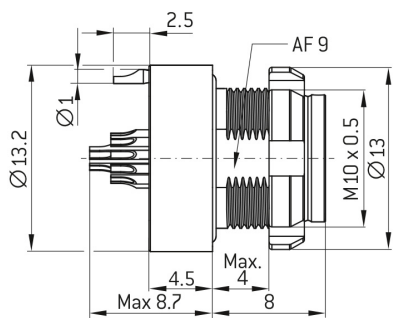
## Material and surface treatments

<b>Material</b>	Cu-alloy with ruthenium finish
<b>Insulator material</b>	PEEK
<b>Contact material</b>	Cu-alloy with gold finish

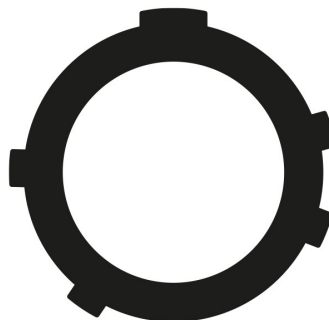
ODU reserves the right to make changes based on the current state of knowledge without prior notice without being obliged to provide replacement deliveries or refinements of older designs.

All shown connectors are defined without breaking capacity (COC) according to IEC 61984:2008 (VDE 0627:2009).

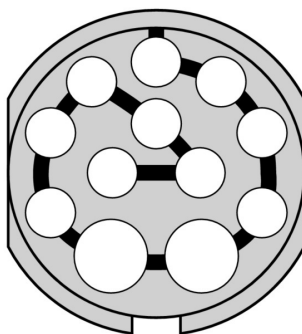
DIMENSIONS:



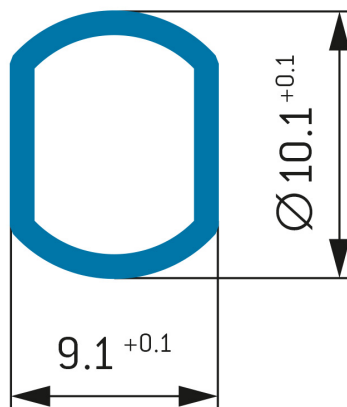
CODING:C



12 Positions



PANEL CUT OUT:



Further technical information and downloads

	Pos. ODU <sup>®</sup> (Crossover)				Note	Pos. USB <sup>®</sup> (Male)		
	Signal	Color	Signal	Color		Signal	Pos.	Signal
Connection diagram	6	VBUS	Red	–		VBUS	1	
	11	D-	White	Twisted pair unshielded	D-	2		
	12	D+	Green		D+	3		
	5	GND	Black	–	GND	4		
	3	SSRX-	Blue	Twisted pair shielded	SSRX-	5		
	4	SSRX+	Yellow		SSRX+	6		
	1, 2	Shield RX	Drain Wire		Shield RX		7	
	9, 10	Shield TX	Drain Wire		Shield TX			
	8	SSTX-	Orange	Twisted pair shielded	SSTX-	8		
	7	SSTX+	Violet		SSTX+	9		
	Housing	Outer shield				Housing		

[3D-File \(STP File\)](#)

[Technical specifications](#)