

## receptacle\_with\_break\_away\_locking\_for\_rear\_panel\_mounting

size\_0\_ip6k8\_ip6k9k\_coding\_c\_blue\_9\_contacts\_sockets\_solder\_cup\_data\_transmission\_and\_high\_power\_usb®\_2.0\_480\_mbits\_+\_power



### Basic information

Part number	GKOWCM-P09WMM0-000L
Category	connector
Type of connector	receptacle
Assembly situation	rear_panel_mounting

### Contact insert description

Special features	data_transmission , hybrid_mixed_transmission
Transmission type	USB® 2.0 (480 Mbit/s) + Power
Number of contacts	9
Contact type	sockets
Contact diameter	0.3 mm; 0.7 mm
Termination type	solder_cup
Termination diameter	0.85 mm
Wire cross section AWG	AWG 28; AWG 22

### Technical information

Max. current single contact	1 A	IEC 60512-5-2:2002 (DIN EN 60512-5-2:2003)
Test voltage	0.75 kV DC	EIA-364-20F:2019-02

### Mechanical and environmental data

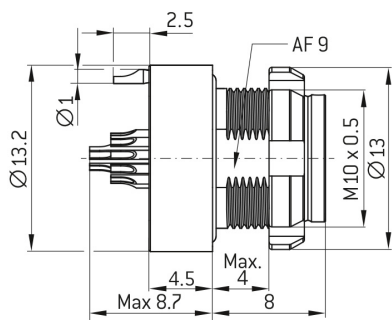
Locking principle	break_away
Keying	c
Mating cycles	5.000
IP class	IP68 / IP6K9K
Max. operating temperature	125 °C
Min. operating temperature	-51 °C
Tightening torque	1 Nm
Weight	6.38 g

ip\_protection\_class\_refers\_to\_mated\_condition

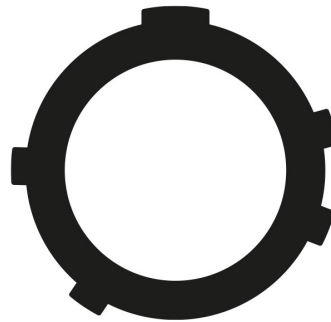
## Material and surface treatments

Material	cu_alloy_with_ruthenium_finish
Contact material	gold

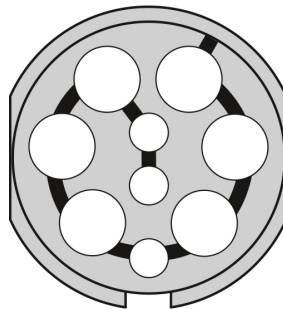
**DIMENSIONS:**



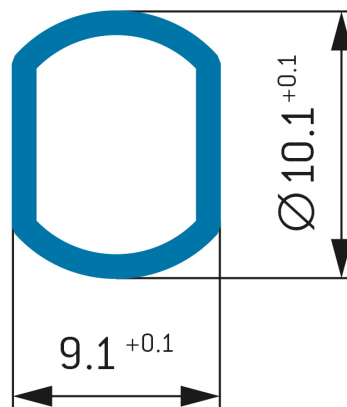
**CODING:**C



**POSITIONS:** 9 positions



**PANEL CUT OUT:**



## Further technical information and downloads

Connection diagram

con\_usb\_2\_power

[3D-File \(STP File\)](#)

[Technical specifications](#)