

## receptacle\_with\_screw\_lock\_for\_rear\_panel\_mounting

size\_00\_ip6k8\_ip6k9k\_coding\_c\_blue\_2\_contacts\_sockets\_pcb\_signal\_transmission



### Basic information

Part number	GCCWCM-P02UC00-000L
Category	connector
Type of connector	receptacle
Assembly situation	rear_panel_mounting
Size	00

### Contact insert description

Transmission type	Signal
Number of contacts	2
Contact type	sockets
Contact diameter	0.3 mm
Termination type	pcb
Termination diameter	0.5 mm

### Technical information

Max. current single contact	3 A	IEC 60512-5-2:2002 (DIN EN 60512-5-2:2003)
Max. current insert	3 A	VDE 0298-4:2013
Test voltage	1.2 kV DC	EIA-364-20F:2019-02

### Mechanical and environmental data

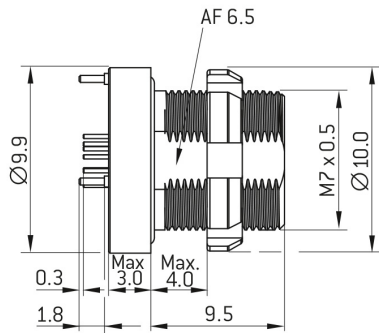
Locking principle	screw_lock
Keying	c
Mating cycles	5.000
IP class	IP68 / IP6K9K
Max. operating temperature	125 °C
Min. operating temperature	-51 °C
Tightening torque	0.5 Nm
Weight	9.999 g

ip\_protection\_class\_refers\_to\_mated\_condition

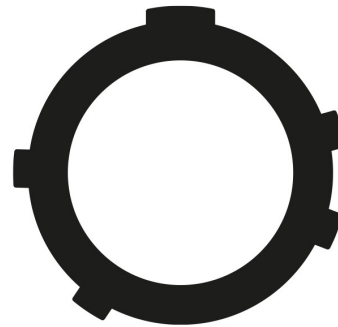
## Material and surface treatments

<b>Material</b>	cu_alloy_with_ruthenium_finish
<b>Contact material</b>	gold

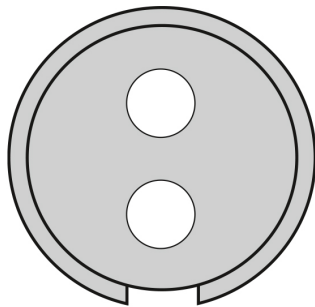
DIMENSIONS:



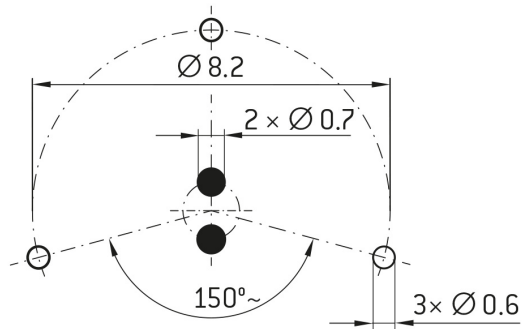
CODING:C



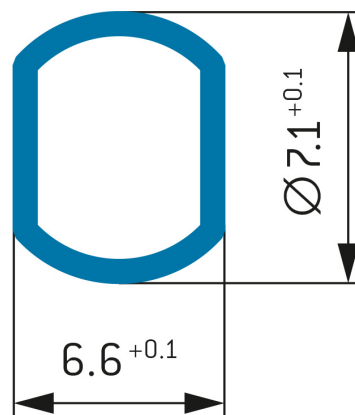
POSITIONS: 2 positions



PCB-LAYOUT:



PANEL CUT OUT:



## Further technical information and downloads

[3D-File \(STP File\)](#)

[Technical specifications](#)