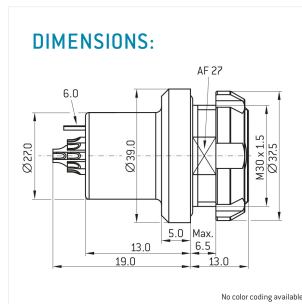
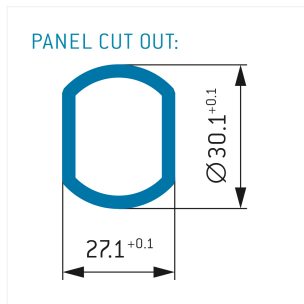
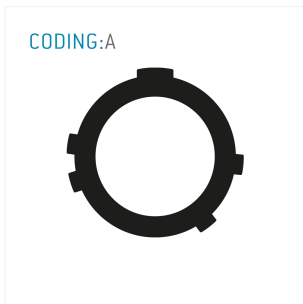


General information

Part number	G8EYAR-P55WFG0-000L
Termination	solder
Size	4,5
Locking principle	break , push
Coding	a_key_amc
Cable Diameter	cable_amc_E



Illustrations may differ from original product. Dimensions, unless otherwise specified, in mm.



Contact insert description

Number of contacts	55
Contact type	sockets
Contact diameter	07mm
Insulator material	peek
Wire cross section	22_awg
Termination	solder
Termination diameter	085mm

reverse\_gender\_on\_request

Technical information

Nominal current single contact	07_a	iec_60512_5_2
Test voltage	1_kv_ac	eia_364_20f

safety\_text

Mechanical and environmental data

Degree of protection*	ipsk8_ip6k9k
Operating temperature	51_125_c
Mating cycles	5000

mated

## Material and surface treatments

<b>Housing</b>	ruthenium
<b>Contact</b>	cu_alloy_gold

safety\_text\_2  
ul\_text  
illustrative\_text