

receptacle_with_break_away_and_push_pull_locking_for_rear_panel_mounting

size: 3, IP6K8 / IP6K9K, keying: b, number_of_contacts: 4, solder_cup, contact_type: sockets, Signal



Basic information

Part number	G83YBR-P04WTS0-000L
Category	connector
Type of connector	receptacle
Assembly situation	rear_panel_mounting
Size	3

Contact insert description

Transmission type	Signal
Number of contacts	4
Contact type	sockets
Contact diameter	2 mm
Termination type	solder_cup
Termination diameter	2.4 mm
Wire cross section AWG	AWG 14

Technical information

Max. current single contact	22 A	IEC 60512-5-2:2002 (DIN EN 60512-5-2:2003)
Max. current insert	22	VDE 0298-4:2003
Test voltage	1.65 kV AC	EIA-364-20F:2019-02

Mechanical and environmental data

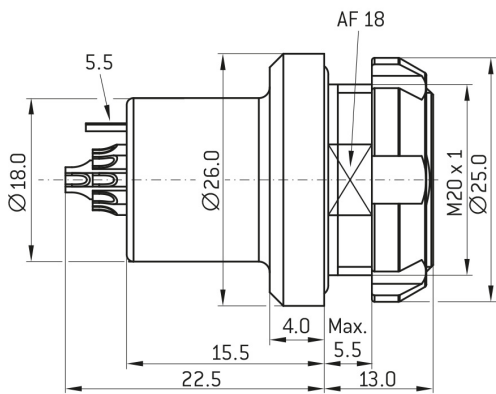
Locking principle	break_away , push_pull
Keying	b
Mating cycles	5.000
IP class	IP6K8 / IP6K9K
Max. operating temperature	125 °C
Min. operating temperature	-51 °C
Tightening torque	5.5 Nm
Weight	21.35 g

ip_protection_class_refers_to_mated_condition

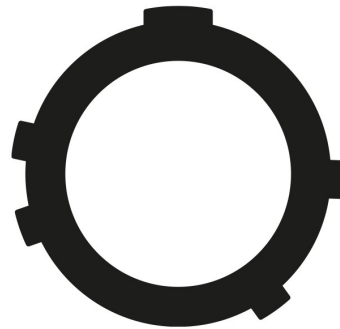
Material and surface treatments

Material	aluminum_with_ruthenium_finish
Contact material	gold

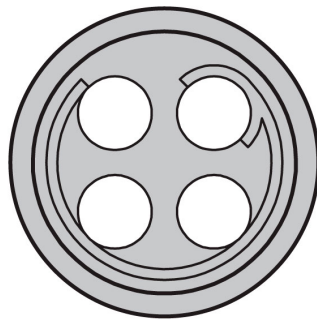
DIMENSIONS:



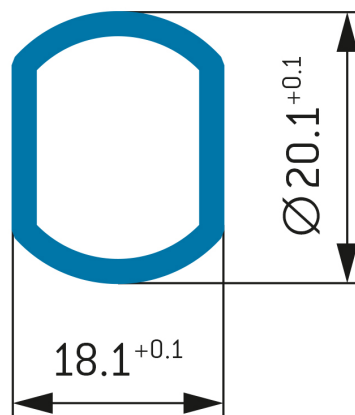
CODING: B



POSITIONS: 4 Positions



PANEL CUT OUT:



Further technical information and downloads

[3D-File \(STP File\)](#)

[Assembly Instruction](#)