

receptacle_with_break_away_and_push_pull_locking_for_rear_panel_mounting

size: 2, IP6K8 / IP6K9K, keying: d, number_of_contacts: 12, solder_cup, contact_type: sockets, Ethernet/IP® [1 Gbit/s] + USB® 2.0 [480 Mbit/s]



Basic information

Part number	G82YDR-PDMWFG0-000L
Category	connector
Type of connector	receptacle
Assembly situation	rear_panel_mounting
Size	2

Contact insert description

Special features	data_transmission
Transmission type	Ethernet/IP® [1 Gbit/s] + USB® 2.0 [480 Mbit/s]
Number of contacts	12
Contact type	sockets
Contact diameter	0.7 mm
Termination type	solder_cup
Termination diameter	0.85 mm
Wire cross section AWG	AWG 22

Technical information

Max. current single contact	7 A	IEC 60512-5-2:2002 (DIN EN 60512-5-2:2003)
Max. current insert	3.85	VDE 0298-4:2003
Test voltage	1.2 kV AC	EIA-364-20F:2019-02

Mechanical and environmental data

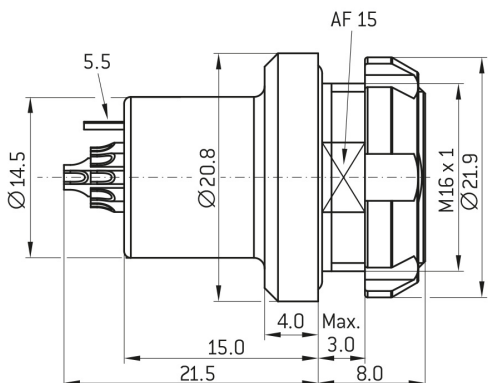
Locking principle	break_away , push_pull
Keying	d
Mating cycles	5.000
IP class	IP6K8 / IP6K9K
Max. operating temperature	125 °C
Min. operating temperature	-51 °C
Tightening torque	4 Nm
Weight	12.95 g

ip_protection_class_refers_to_mated_condition

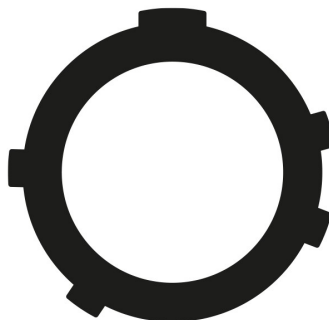
Material and surface treatments

Material	aluminum_with_ruthenium_finish
Contact material	gold

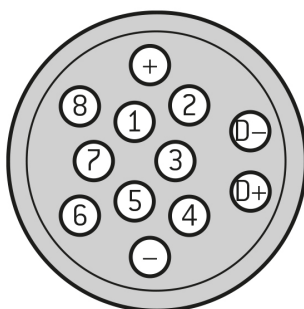
DIMENSIONS:



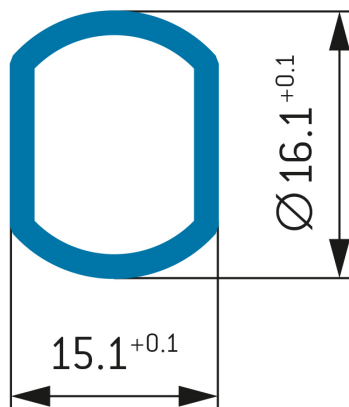
CODING:C



POSITIONS: 12 positions



PANEL CUT OUT:



Further technical information and downloads

Connection diagram

con_ethernet_1_usb_2

[3D-File \(STP File\)](#)

[Assembly Instruction](#)