

## Receptacle with break-away and push-pull locking for rear panel mounting

Size: 2, IP6K8 / IP6K9K, Keying: A, Number of contacts: 12, PCB, Contact type: Sockets, Ethernet/IP® (1 Gbit/s) + USB® 2.0 (480 Mbit/s)



### Basic information

|                    |                     |
|--------------------|---------------------|
| Part number        | G82YAR-PDMUF00-000L |
| Category           | Connector           |
| Type of connector  | Receptacle          |
| Assembly situation | Rear panel mounting |
| Size               | 2                   |

### Contact insert description

|                      |   |
|----------------------|---|
| Special features     | Data transmission                               |
| Transmission type    | Ethernet/IP® (1 Gbit/s) + USB® 2.0 (480 Mbit/s) |
| Number of contacts   | 12  |
| Contact type         | Sockets   |
| Contact diameter     | 0.7 mm  |
| Termination type     | Solder cup                                      |
| Termination diameter | 0.5 mm  |

Reverse gender on request

### Technical information

|                                |           |  |
|--------------------------------|-----------|--|
| Nominal current single contact | 5 A       | IEC 60512-5-2:2002 (DIN EN 60512-5-2:2003) |
| Max. current insert            | 2.75      | VDE 0298-4:2003                            |
| Test voltage                   | 1.2 kV AC | EIA-364-20F:2019-02                        |

All shown connectors are rated to a safety extra low voltage (SELV) of less than 50 V AC / 75 V DC, according to IEC 61140:2016 (VDE 0140-1:2016) Protection against electric shock - Common aspects for installation and equipment. In case other standards rule a specific use of the connector, the application specific safety criteria shall be considered first. In this context, lower voltage ratings may be valid. Warning: Danger to life for operating voltages above 50 V AC / 120 V DC!

## Mechanical and environmental data

|                                   |                        |
|-----------------------------------|------------------------|
| <b>Locking principle</b>          | Break-Away , Push-Pull |
| <b>Keying</b>                     | A                      |
| <b>Mating cycles</b>              | 5.000                  |
| <b>IP class</b>                   | IP6K8 / IP6K9K         |
| <b>Max. operating temperature</b> | 125 °C                 |
| <b>Min. operating temperature</b> | -51 °C                 |
| <b>Tightening torque</b>          | 4 Nm                   |
| <b>Weight</b>                     | 12.7 g                 |

\*IP protection class refers to mated condition

## Material and surface treatments

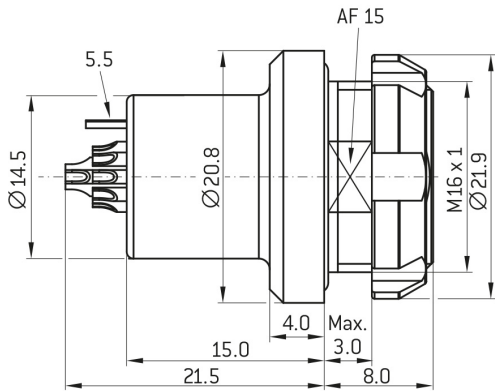
|                           |                                |
|---------------------------|--------------------------------|
| <b>Material</b>           | Aluminum with ruthenium finish |
| <b>Insulator material</b> | PEEK                           |
| <b>Contact material</b>   | Cu-alloy with gold finish      |

Unless explicitly confirmed otherwise the contact arrangement of an ODU data transmission connector differs from a standard data transmission connector due to the robust ODU specific design. However, the ODU design meets the electrical specifications of the respective standard data transmission protocol.

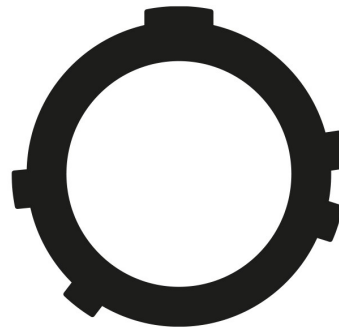
ODU reserves the right to make changes based on the current state of knowledge without prior notice without being obliged to provide replacement deliveries or refinements of older designs.

All shown connectors are defined without breaking capacity (COC) according to IEC 61984:2008 (VDE 0627:2009).

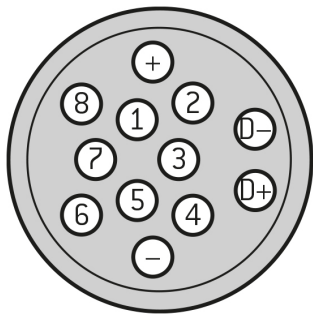
DIMENSIONS:



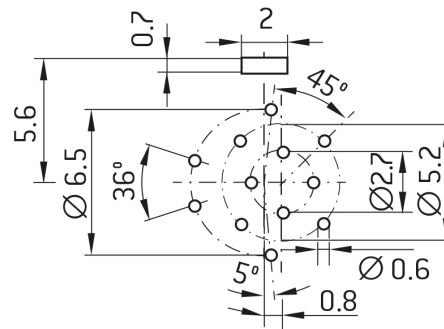
CODING:A



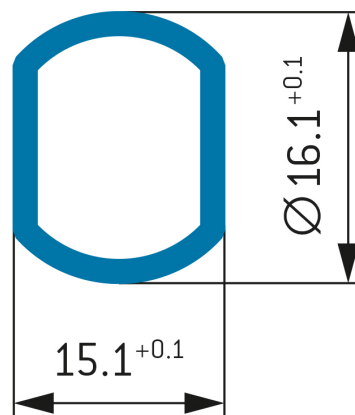
POSITIONS: 12 positions



PCB-LAYOUT:



PANEL CUT OUT:



PCB Layout with socket contacts: Top view (from component side). Unless otherwise numbered, numbering starts at the contact marked by the bracket and follows the spiral clockwise.

Further technical information and downloads

| Pos. | Description  | Color        |
|------|--------------|--------------|
| 1    |              | white/green  |
| 2    | twisted pair | green        |
| 3    |              | white/brown  |
| 4    | twisted pair | brown        |
| 5    | CAT 5E       | white/blue   |
| 6    | twisted pair | blue         |
| 7    |              | white/red    |
| 8    | twisted pair | red          |
| D-   | Data -       | white (gold) |
| D+   | Data +       | green        |
| -    | Ground       | black (blue) |
| +    | +5 V         | red          |

[3D-File \(STP File\)](#)

[Assembly Instruction](#)