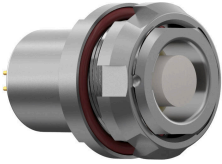


## receptacle\_with\_break\_away\_and\_push\_pull\_locking\_for\_rear\_panel\_mounting

size: 2, IP68, keying: 0, number\_of\_contacts: 4, solder\_cup, contact\_type: sockets, Ethernet/IP® (100 Mbit/s)



### Basic information

|                    |                     |
|--------------------|---------------------|
| Part number        | G82B0C-P04LPNO-0000 |
| Category           | connector           |
| Type of connector  | receptacle          |
| Assembly situation | rear_panel_mounting |
| Size               | 2                   |

### Contact insert description

|                        |                           |
|------------------------|---------------------------|
| Special features       | data_transmission         |
| Transmission type      | Ethernet/IP® (100 Mbit/s) |
| Number of contacts     | 4                         |
| Contact type           | sockets                   |
| Contact diameter       | 1.3 mm                    |
| Termination type       | solder_cup                |
| Termination diameter   | 1.4 mm                    |
| Wire cross section AWG | AWG 18                    |

### Technical information

|  |                             |  |
|--|-----------------------------|--|
| Max. current single contact                  | 15 A                        | IEC 60512-5-2:2002 (DIN EN 60512-5-2:2003) |
| Max. current insert                          | 15                          | VDE 0298-4:2003                            |
| Test voltage                                 | 1.8 kV AC                   | SAE AS 13441:1998 method 3001.1            |
| Max. creepage distance (contact to contact)  | 1.5 mm (Contact to housing) |  |
| Max. creepage distance (contact to housing)  | 1.3 mm (Contact to housing) |  |
| Max. clearance distance (contact to contact) | 1.5 mm (Contact to contact) |  |
| Max. clearance distance (contact to housing) | 1.3 mm (Contact to housing) |  |

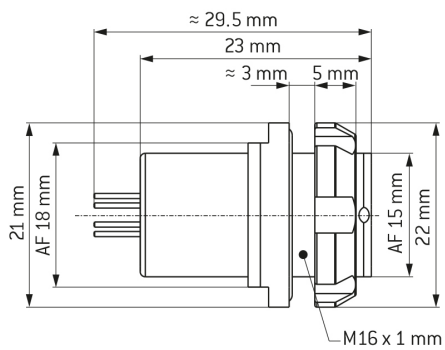
## Mechanical and environmental data

|                            |                        |
|----------------------------|------------------------|
| Locking principle          | break_away , push_pull |
| Mating cycles              | 5.000                  |
| IP class                   | IP68                   |
| Max. operating temperature | 120 °C                 |
| Min. operating temperature | -40 °C                 |
| Tightening torque          | 4.5 Nm                 |
| Weight                     | 24.25 g                |

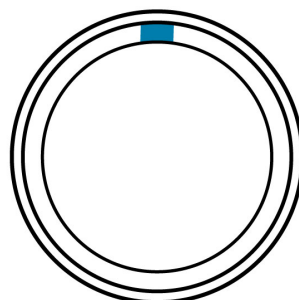
## Material and surface treatments

|                  |                                  |
|------------------|----------------------------------|
| Material         | cu_alloy_with_matt_chrome_finish |
| Contact material | gold                             |

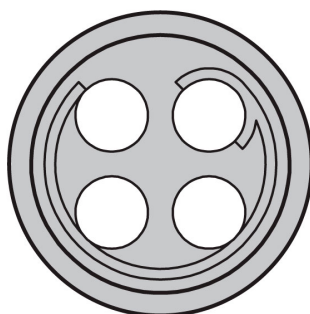
**DIMENSIONS:**



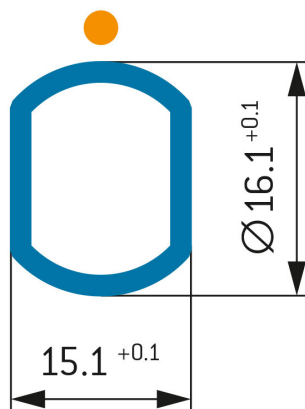
**CODING: 0°**



**POSITIONS: 4 Positions**



**PANEL CUT OUT:**



## Further technical information and downloads

Connection diagram

connection\_diagram\_4\_pin\_ethernet\_100Mbps\_rj45

[3D-File \(STP File\)](#)