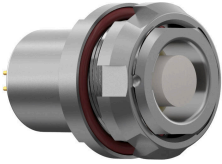


receptacle_with_break_away_and_push_pull_locking_for_rear_panel_mounting

size: 2, IP68, keying: 0, number_of_contacts: 3, solder_cup, contact_type: sockets, Signal



Basic information

| | |
|--------------------|---------------------|
| Part number | G82B0C-P03LSNO-0000 |
| Category | connector |
| Type of connector | receptacle |
| Assembly situation | rear_panel_mounting |
| Size | 2 |

Contact insert description

| | |
|------------------------|------------|
| Transmission type | Signal |
| Number of contacts | 3 |
| Contact type | sockets |
| Contact diameter | 1.6 mm |
| Termination type | solder_cup |
| Termination diameter | 1.4 mm |
| Wire cross section AWG | AWG 18 |

Technical information

| | | |
|--|-----------------------------|--|
| Max. current single contact | 16 A | IEC 60512-5-2:2002 (DIN EN 60512-5-2:2003) |
| Max. current insert | 16 | VDE 0298-4:2003 |
| Test voltage | 2.4 kV AC | SAE AS 13441:1998 method 3001.1 |
| Max. creepage distance (contact to contact) | 1.7 mm (Contact to housing) | |
| Max. creepage distance (contact to housing) | 1.5 mm (Contact to housing) | |
| Max. clearance distance (contact to contact) | 1.7 mm (Contact to contact) | |
| Max. clearance distance (contact to housing) | 1.5 mm (Contact to housing) | |

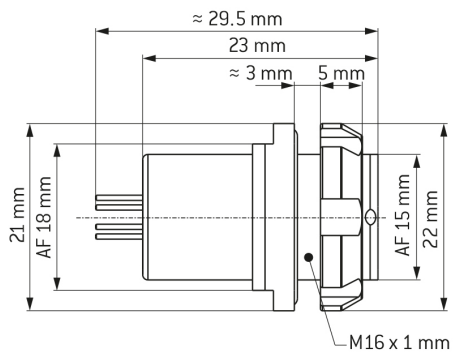
Mechanical and environmental data

| | |
|----------------------------|------------------------|
| Locking principle | break_away , push_pull |
| Mating cycles | 5.000 |
| IP class | IP68 |
| Max. operating temperature | 120 °C |
| Min. operating temperature | -40 °C |
| Tightening torque | 4.5 Nm |
| Weight | 25.04 g |

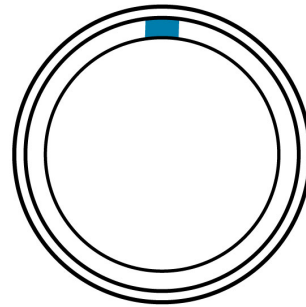
Material and surface treatments

| | |
|------------------|----------------------------------|
| Material | cu_alloy_with_matt_chrome_finish |
| Contact material | gold |

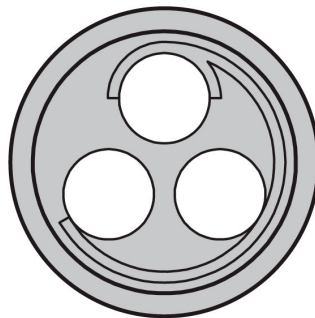
DIMENSIONS:



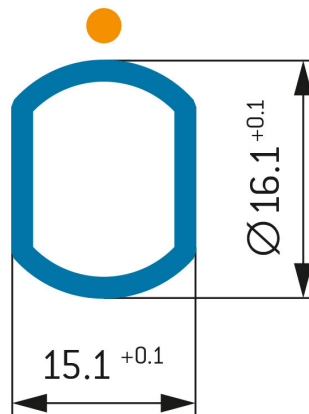
CODING: 0°



POSITIONS: 3 Positions



PANEL CUT OUT:



Further technical information and downloads

[3D-File \(STP File\)](#)