

receptacle_with_break_away_and_push_pull_locking_for_rear_panel_mounting

size: 1, IP6K8 / IP6K9K, keying: a, number_of_contacts: 4, pcb, contact_type: sockets, Ethernet/IP® (100 Mbit/s)



Basic information

Part number	G81YAR-P04UJ00-000L
Category	connector
Type of connector	receptacle
Assembly situation	rear_panel_mounting
Size	1

Contact insert description

Special features	data_transmission
Transmission type	Ethernet/IP® (100 Mbit/s)
Number of contacts	4
Contact type	sockets
Contact diameter	0.9 mm
Termination type	pcb
Termination diameter	0.7 mm

Technical information

Max. current single contact	10 A	IEC 60512-5-2:2002 (DIN EN 60512-5-2:2003)
Max. current insert	7	VDE 0298-4:2003
Test voltage	1.5 kV AC	EIA-364-20F:2019-02

Mechanical and environmental data

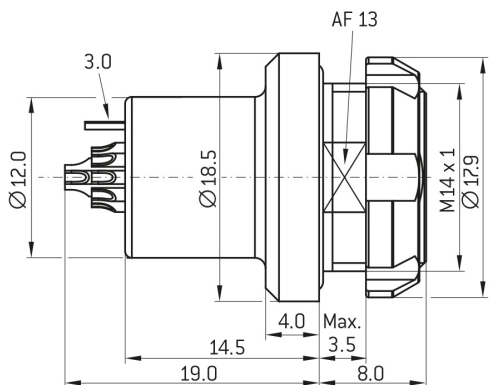
Locking principle	break_away , push_pull
Keying	a
Mating cycles	5.000
IP class	IP6K8 / IP6K9K
Max. operating temperature	125 °C
Min. operating temperature	-51 °C
Tightening torque	3 Nm
Weight	8.82 g

ip_protection_class_refers_to_mated_condition

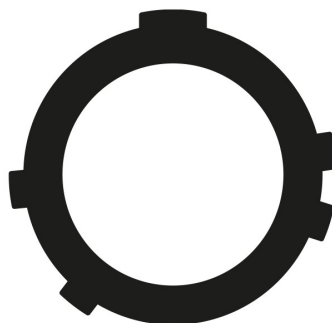
Material and surface treatments

Material	aluminum_with_ruthenium_finish
Contact material	gold

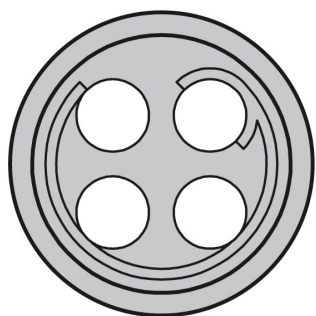
DIMENSIONS:



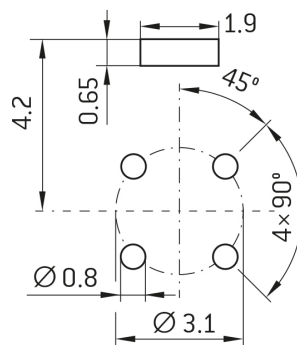
CODING:A



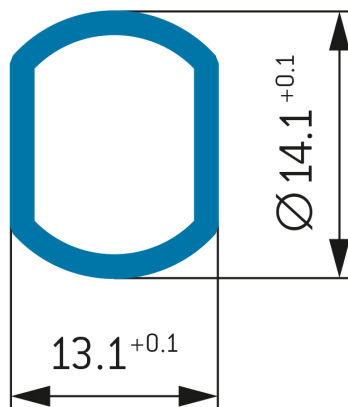
POSITIONS: 4 Positions



PCB-LAYOUT:



PANEL CUT OUT:



Further technical information and downloads

Connection diagram

connection_diagram_4_pin_ethernet_100Mbps_rj45

[3D-File \(STP File\)](#)

[Assembly Instruction](#)