

## receptacle\_with\_break\_away\_and\_push\_pull\_locking\_for\_rear\_panel\_mounting

size: 0, IP6K8 / IP6K9K, keying: d, number\_of\_contacts: 7, pcb, contact\_type: sockets, Signal



### Basic information

|                    |                     |
|--------------------|---------------------|
| Part number        | G80YDR-P07UC00-000L |
| Category           | connector           |
| Type of connector  | receptacle          |
| Assembly situation | rear_panel_mounting |

### Contact insert description

|                      |         |
|----------------------|---------|
| Transmission type    | Signal  |
| Number of contacts   | 7       |
| Contact type         | sockets |
| Contact diameter     | 0.5 mm  |
| Termination type     | pcb     |
| Termination diameter | 0.5 mm  |

### Technical information

|                             |           |  |
|-----------------------------|-----------|--|
| Max. current single contact | 5 A       | IEC 60512-5-2:2002 (DIN EN 60512-5-2:2003) |
| Max. current insert         | 3.25      | VDE 0298-4:2003                            |
| Test voltage                | 0.9 kV AC | EIA-364-20F:2019-02                        |

### Mechanical and environmental data

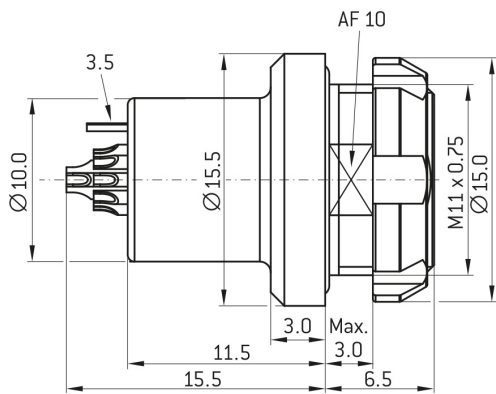
|                            |                        |
|----------------------------|------------------------|
| Locking principle          | break_away , push_pull |
| Keying                     | d                      |
| Mating cycles              | 5.000                  |
| IP class                   | IP6K8 / IP6K9K         |
| Max. operating temperature | 125 °C                 |
| Min. operating temperature | -51 °C                 |
| Tightening torque          | 1 Nm                   |
| Weight                     | 4.54 g                 |

ip\_protection\_class\_refers\_to\_mated\_condition

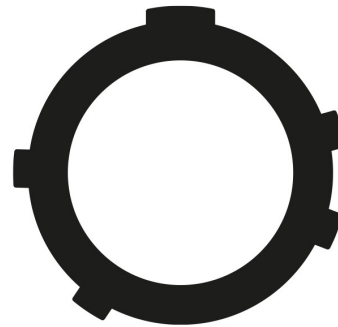
## Material and surface treatments

|                  |                                |
|------------------|--------------------------------|
| Material         | aluminum_with_ruthenium_finish |
| Contact material | gold                           |

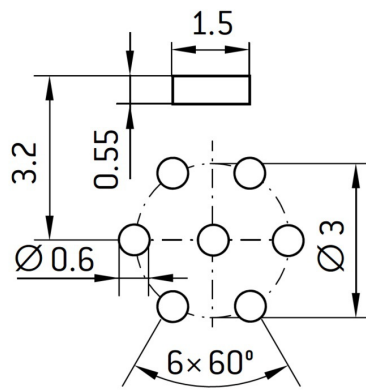
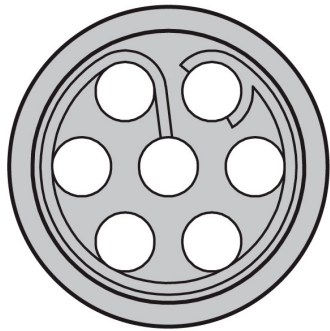
**DIMENSIONS:**



**CODING:**C

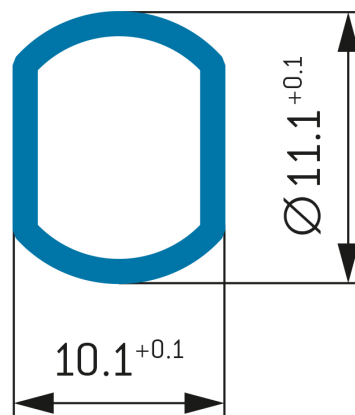


**POSITIONS:** 7 Positions



Length earth tag and pin 4.3

**PANEL CUT OUT:**



## Further technical information and downloads

[3D-File \(STP File\)](#)

[Assembly Instruction](#)