

receptacle_with_break_away_and_push_pull_locking_for_rear_panel_mounting

size: 0, IP6K8 / IP6K9K, keying: c, number_of_contacts: 7, solder_cup, contact_type: sockets, Signal



Basic information

Part number	G80YCR-P07WCD0-000L
Category	connector
Type of connector	receptacle
Assembly situation	rear_panel_mounting

Contact insert description

Transmission type	Signal
Number of contacts	7
Contact type	sockets
Contact diameter	0.5 mm
Termination type	solder_cup
Termination diameter	0.65 mm
Wire cross section AWG	AWG 26

Technical information

Nominal current single contact	5 A	IEC 60512-5-2:2002 (DIN EN 60512-5-2:2003)
Max. current insert	3.25	VDE 0298-4:2003
Test voltage	0.9 kV AC	EIA-364-20F:2019-02

Mechanical and environmental data

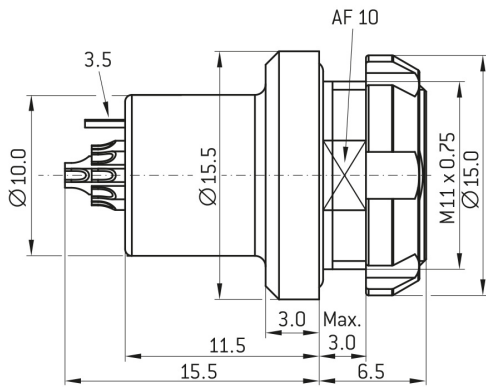
Locking principle	break_away , push_pull
Keying	c
Mating cycles	5.000
IP class	IP6K8 / IP6K9K
Max. operating temperature	125 °C
Min. operating temperature	-51 °C
Tightening torque	1 Nm
Weight	4.68 g

ip_protection_class_refers_to_mated_condition

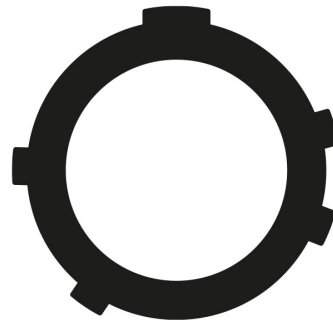
Material and surface treatments

Material	aluminum_with_ruthenium_finish
Contact material	cu_alloy_with_gold_finish

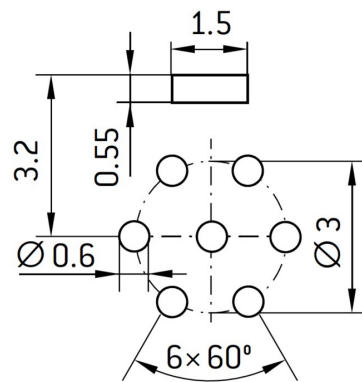
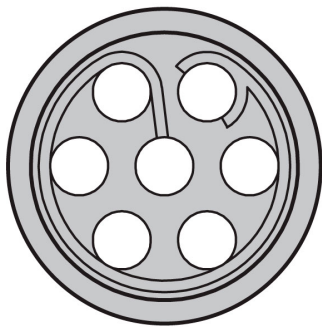
DIMENSIONS:



CODING:C

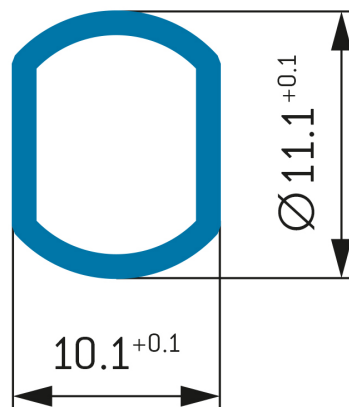


POSITIONS: 7 Positions



Length earth tag and pin 4.3

PANEL CUT OUT:



Further technical information and downloads

[3D-File \(STP File\)](#)

[Assembly Instruction](#)