

receptacle_with_break_away_and_push_pull_locking_for_rear_panel_mounting

size: 0, IP68, keying: a, number_of_contacts: 4, solder_cup, contact_type: sockets, Ethernet/IP® [100 Mbit/s]|USB® 2.0 [480 Mbit/s]



Basic information

| | |
|--------------------|---------------------|
| Part number | G80LAC-P04LFG0-0000 |
| Category | connector |
| Type of connector | receptacle |
| Assembly situation | rear_panel_mounting |

Contact insert description

| | |
|------------------------|---|
| Special features | data_transmission |
| Transmission type | Ethernet/IP® [100 Mbit/s] , USB® 2.0 [480 Mbit/s] |
| Number of contacts | 4 |
| Contact type | sockets |
| Contact diameter | 0.7 mm |
| Termination type | solder_cup |
| Termination diameter | 0.85 mm |
| Wire cross section AWG | AWG 22 |

Technical information

| | | |
|--|-----------------------------|--|
| Max. current single contact | 7.5 A | IEC 60512-5-2:2002 (DIN EN 60512-5-2:2003) |
| Max. current insert | 7.5 | VDE 0298-4:2003 |
| Test voltage | 0.9 kV AC | SAE AS 13441:1998 method 3001.1 |
| Max. creepage distance (contact to contact) | 0.6 mm (Contact to housing) | |
| Max. creepage distance (contact to housing) | 0.8 mm (Contact to housing) | |
| Max. clearance distance (contact to contact) | 0.6 mm (Contact to contact) | |
| Max. clearance distance (contact to housing) | 0.8 mm (Contact to housing) | |

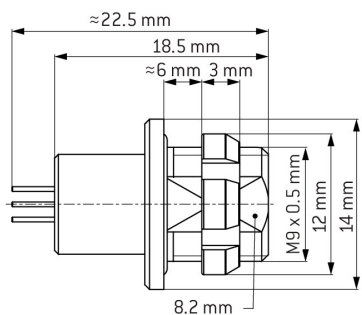
Mechanical and environmental data

| | |
|----------------------------|------------------------|
| Locking principle | break_away , push_pull |
| Keying | coding_30° |
| Mating cycles | 5.000 |
| IP class | IP68 |
| Max. operating temperature | 120 °C |
| Min. operating temperature | -40 °C |
| Tightening torque | 1.3 Nm |
| Weight | 6.29 g |

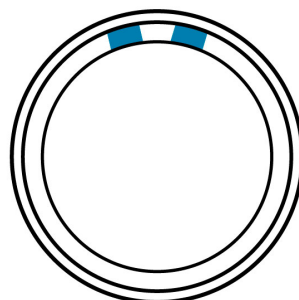
Material and surface treatments

| | |
|------------------|----------------------------------|
| Material | cu_alloy_with_matt_chrome_finish |
| Contact material | gold |

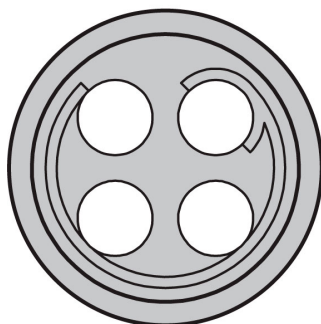
DIMENSIONS



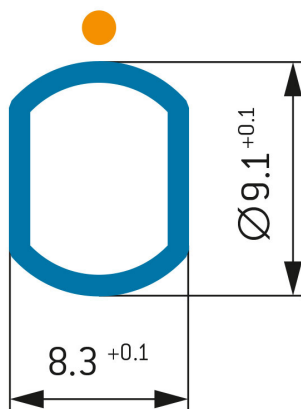
CODING: 30°



POSITIONS: 4 Positions



PANEL CUT OUT:



Further technical information and downloads

[Connection diagram](#) connection_diagram_4_pin_ethernet_100Mbps_rj45|connection_diagram_04_pin_usb_2_0_typ_a

[3D-File \(STP File\)](#)

[Technical specifications](#)